

TA101-10 HD50 Cable

**1.8 m cable with two 50 pin male
SCSI-2 type connectors**

Version 1.0

User Manual

Issue 1.1

September 2006

TEWS TECHNOLOGIES GmbH

Am Bahnhof 7
25469 Halstenbek, Germany
www.tews.com

Phone: +49-(0)4101-4058-0
Fax: +49-(0)4101-4058-19
e-mail: info@tews.com

TEWS TECHNOLOGIES LLC

9190 Double Diamond Parkway,
Suite 127, Reno, NV 89521, USA
www.tews.com

Phone: +1 (775) 850 5830
Fax: +1 (775) 201 0347
e-mail: usasales@tews.com

TA101-10 HD50 Cable

1.8 m cable with two 50 pin male SCSI-2 type connectors

This document contains information, which is proprietary to TEWS TECHNOLOGIES GmbH. Any reproduction without written permission is forbidden.

TEWS TECHNOLOGIES GmbH has made any effort to ensure that this manual is accurate and complete. However TEWS TECHNOLOGIES GmbH reserves the right to change the product described in this document at any time without notice.

TEWS TECHNOLOGIES GmbH is not liable for any damage arising out of the application or use of the device described herein.

Style Conventions

Hexadecimal characters are specified with prefix 0x, i.e. 0x029E (that means hexadecimal value 029E).

For signals on hardware products, an 'Active Low' is represented by the signal name with # following, i.e. IP_RESET#.

©2005-2006 by TEWS TECHNOLOGIES GmbH

IndustryPack is a registered trademark of SBS Technologies, Inc

Issue	Description	Date
1.0	First Issue	April 2005
1.1	New address TEWS LLC	September 2006

Table of Contents

1	PRODUCT DESCRIPTION.....	5
2	HD50 CABLE PIN ASSIGNMENT.....	6
3	ASSEMBLY DRAWING.....	7

Table of Figures

FIGURE 3-1 :	HD50 CABLE PIN ASSIGNMENT.....	6
FIGURE 5-1 :	ASSEMBLY DRAWING.....	7

1 Product Description

The TA101-10 represents a one to one connection. At both sides of the cable HD50 SCSI-2 connectors are mounted which provide a direct connection to a lot of TEWS products like PMC, PIM, CompactPCI and VME modules (for example TPMC600, TPMC500, TCP461, TPIM001, TVME201 and more).

The TA101-10 HD50 Cable in conjunction with a terminal block, a back I/O PIM carrier with PIM module and several carriers could be used for prototyping and also for series.

Length of the TA101-10 HD50 Cable is at least 1.8 m.

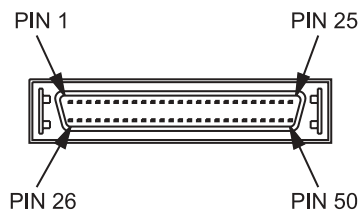
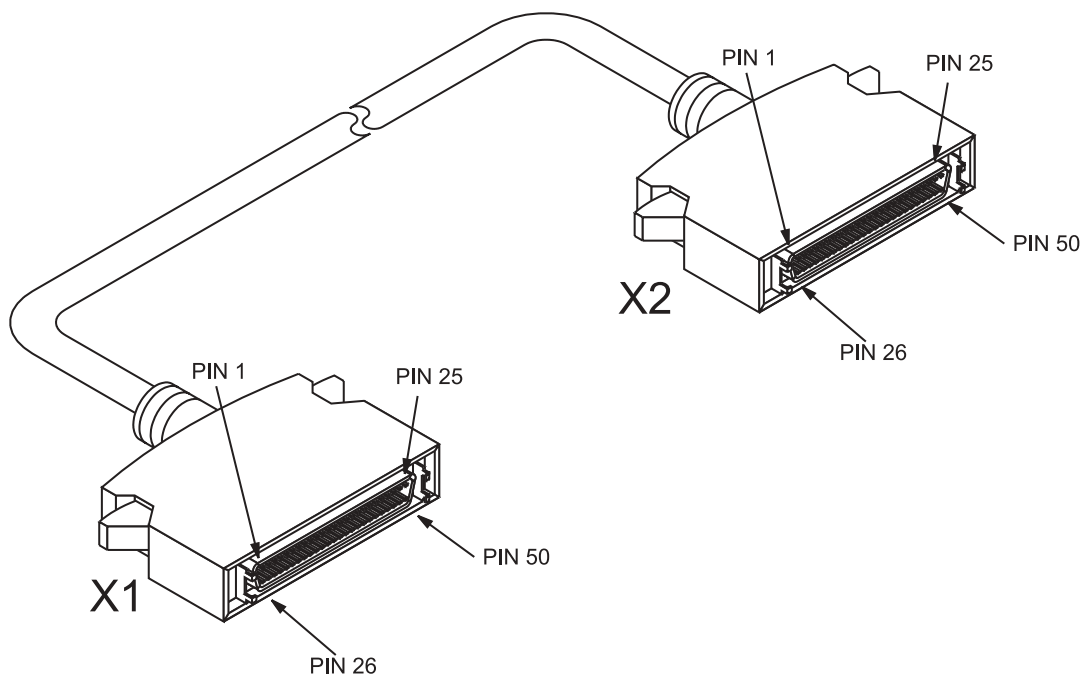
Always two wires are constructed as twisted pairs (1 and 26, 2 and 27, ..., 25 and 50).

2 HD50 Cable Pin Assignment

X1 male SCSI-2	X2 male SCSI-2	X1 male SCSI-2	X2 male SCSI-2
1	1	26	26
2	2	27	27
3	3	28	28
4	4	29	29
5	5	30	30
6	6	31	31
7	7	32	32
8	8	33	33
9	9	34	34
10	10	35	35
11	11	36	36
12	12	37	37
13	13	38	38
14	14	39	39
15	15	40	40
16	16	41	41
17	17	42	42
18	18	43	43
19	19	44	44
20	20	45	45
21	21	46	46
22	22	47	47
23	23	48	48
24	24	49	49
25	25	50	50

Figure 2-1 : HD50 Cable Pin Assignment

3 Assembly Drawing



Detail Pin Assignment : X1 and X2

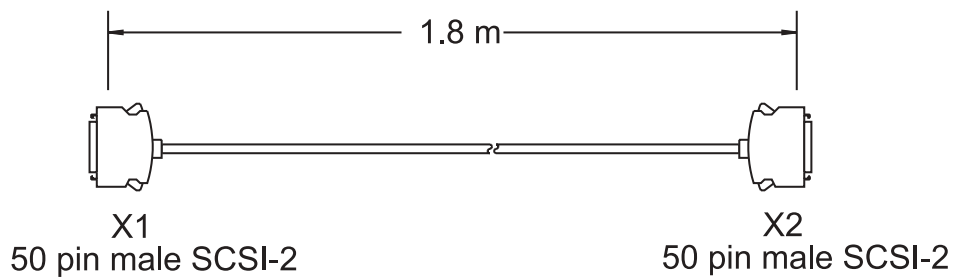


Figure 3-1 : Assembly Drawing