
TA106-10 50 pin Ribbon Cable

**0.8 m ribbon cable with two 50 pin ribbon
cable connectors**

Version 1.0

User Manual

Issue 1.1

September 2006

TEWS TECHNOLOGIES GmbH

Am Bahnhof 7
25469 Halstenbek, Germany
www.tews.com

Phone: +49-(0)4101-4058-0
Fax: +49-(0)4101-4058-19
e-mail: info@tews.com

TEWS TECHNOLOGIES LLC

9190 Double Diamond Parkway,
Suite 127, Reno, NV 89521, USA
www.tews.com

Phone: +1 (775) 850 5830
Fax: +1 (775) 201 0347
e-mail: usasales@tews.com

TA106-10 50 pin Ribbon Cable

0.8 m ribbon cable cable with two 50 pin ribbon cable connectors

This document contains information, which is proprietary to TEWS TECHNOLOGIES GmbH. Any reproduction without written permission is forbidden.

TEWS TECHNOLOGIES GmbH has made any effort to ensure that this manual is accurate and complete. However TEWS TECHNOLOGIES GmbH reserves the right to change the product described in this document at any time without notice.

TEWS TECHNOLOGIES GmbH is not liable for any damage arising out of the application or use of the device described herein.

Style Conventions

Hexadecimal characters are specified with prefix 0x, i.e. 0x029E (that means hexadecimal value 029E).

For signals on hardware products, an 'Active Low' is represented by the signal name with # following, i.e. IP_RESET#.

©2005-2006 by TEWS TECHNOLOGIES GmbH

IndustryPack is a registered trademark of SBS Technologies, Inc

Issue	Description	Date
1.0	First Issue	April 2005
1.1	New address TEWS LLC	September 2006

Table of Contents

1	PRODUCT DESCRIPTION.....	5
2	50 PIN RIBBON CABLE PIN ASSIGNMENT.....	6
3	ASSEMBLY DRAWING.....	7

Table of Figures

FIGURE 2-1 :	50 PIN RIBBON CABLE PIN ASSIGNMENT.....	6
FIGURE 3-1 :	ASSEMBLY DRAWING.....	7

1 Product Description

The TA106-10 is used as a one to one connection. At both sides of the 50 pin ribbon cable a 50 pin ribbon cable connector is mounted which provide a direct connection to a lot of TEWS products. The TA106-10 is a simple possibility to connect the 50 pin IP interface to external applications. This cable provides a direct connection to TEWS IP Carrier, for VME, PCI and CompactPCI systems (for example TVME200, TPCI200 and TCP211).

The TA106-10 Ribbon Cable in conjunction with a 50pin ribbon cable terminal block, an IndustryPack® carrier module could be used for prototyping and also for series.

Length of the TA106-10 Ribbon Cable is at least 0.8 m.

2 50 pin Ribbon Cable Pin Assignment

X1 Ribbon Cable Connector	X2 Ribbon Cable Connector	X1 Ribbon Cable Connector	X2 Ribbon Cable Connector
1	1	26	26
2	2	27	27
3	3	28	28
4	4	29	29
5	5	30	30
6	6	31	31
7	7	32	32
8	8	33	33
9	9	34	34
10	10	35	35
11	11	36	36
12	12	37	37
13	13	38	38
14	14	39	39
15	15	40	40
16	16	41	41
17	17	42	42
18	18	43	43
19	19	44	44
20	20	45	45
21	21	46	46
22	22	47	47
23	23	48	48
24	24	49	49
25	25	50	50

Figure 2-1 : 50 pin Ribbon Cable Pin Assignment

3 Assembly Drawing

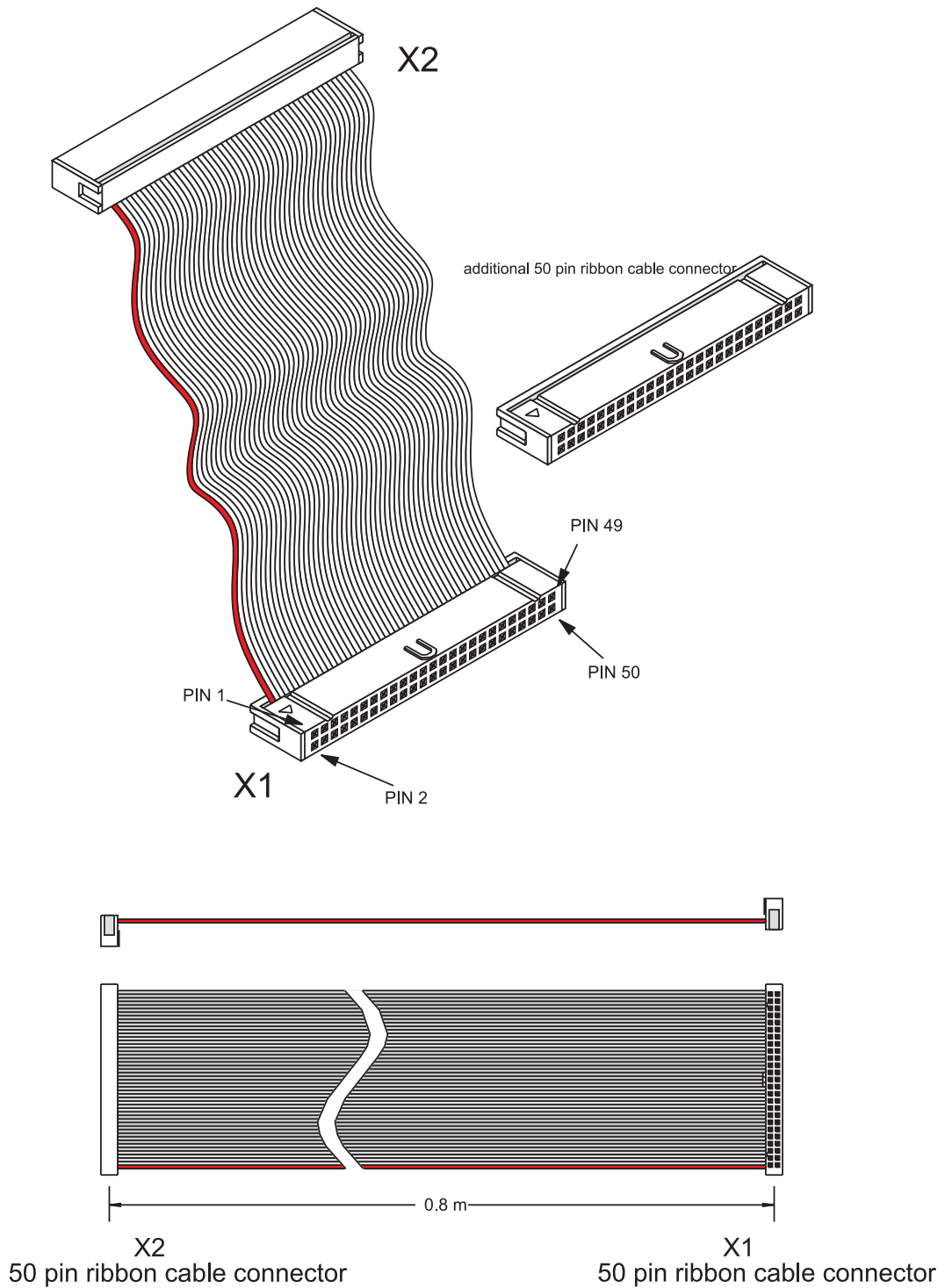


Figure 3-1 : Assembly Drawing