
TA202-10 DB25 Terminal Block

**25 pin terminal block with
DB25 female connector**

Version 1.0

User Manual

Issue 1.2

May 2007

TEWS TECHNOLOGIES GmbH

Am Bahnhof 7
25469 Halstenbek, Germany
www.tews.com

Phone: +49-(0)4101-4058-0
Fax: +49-(0)4101-4058-19
e-mail: info@tews.com

TEWS TECHNOLOGIES LLC

9190 Double Diamond Parkway,
Suite 127, Reno, NV 89521, USA
www.tews.com

Phone: +1 (775) 850 5830
Fax: +1 (775) 201 0347
e-mail: usasales@tews.com

TA202-10 DB25 Terminal Block

25 pin terminal block with DB25 female connector

This document contains information, which is proprietary to TEWS TECHNOLOGIES GmbH. Any reproduction without written permission is forbidden.

TEWS TECHNOLOGIES GmbH has made any effort to ensure that this manual is accurate and complete. However TEWS TECHNOLOGIES GmbH reserves the right to change the product described in this document at any time without notice.

TEWS TECHNOLOGIES GmbH is not liable for any damage arising out of the application or use of the device described herein.

Style Conventions

Hexadecimal characters are specified with prefix 0x, i.e. 0x029E (that means hexadecimal value 029E).

For signals on hardware products, an 'Active Low' is represented by the signal name with # following, i.e. IP_RESET#.

©2005-2007 by TEWS TECHNOLOGIES GmbH

All trademarks mentioned are property of their respective owners.

Issue	Description	Date
1.0	First Issue	April 2005
1.1	New address TEWS LLC	September 2006
1.2	New Assembly Drawing	May 2007

Table of Contents

1	PRODUCT DESCRIPTION.....	5
2	DB25 TERMINAL BLOCK PIN ASSIGNMENT.....	6
3	ASSEMBLY DRAWING.....	7

Table of Figures

FIGURE 2-1 : DB25 TERMINAL BLOCK PIN ASSIGNMENT	6
FIGURE 3-1 : ASSEMBLY DRAWING.....	7

1 Product Description

The TA202-10 is used as a standard interface for a switch cabinet to connect TEWS modules with other system devices. The DB25 Terminal Block is therefore an essential wiring interface for prototyping and in the same way for machine and peripheral equipment.

Cable connection is designed to use a standard DB25 cable with 25 pin male connector. The screw connections of the used terminal block have a nominal cross section of 2.5 mm².

The TA202-10 has a universal socket and may simply mount on standard EM mounting rails as a compact terminal strip.

2 DB25 Terminal Block Pin Assignment

Terminal Block	X1 DB25 female
1	1
2	2
3	3
4	4
5	5
6	6
7	7
8	8
9	9
10	10
11	11
12	12
13	13
14	14
15	15
16	16
17	17
18	18
19	19
20	20
21	21
22	22
23	23
24	24
25	25
⊥	Shield

Figure 2-1 : DB25 Terminal Block Pin Assignment

3 Assembly Drawing

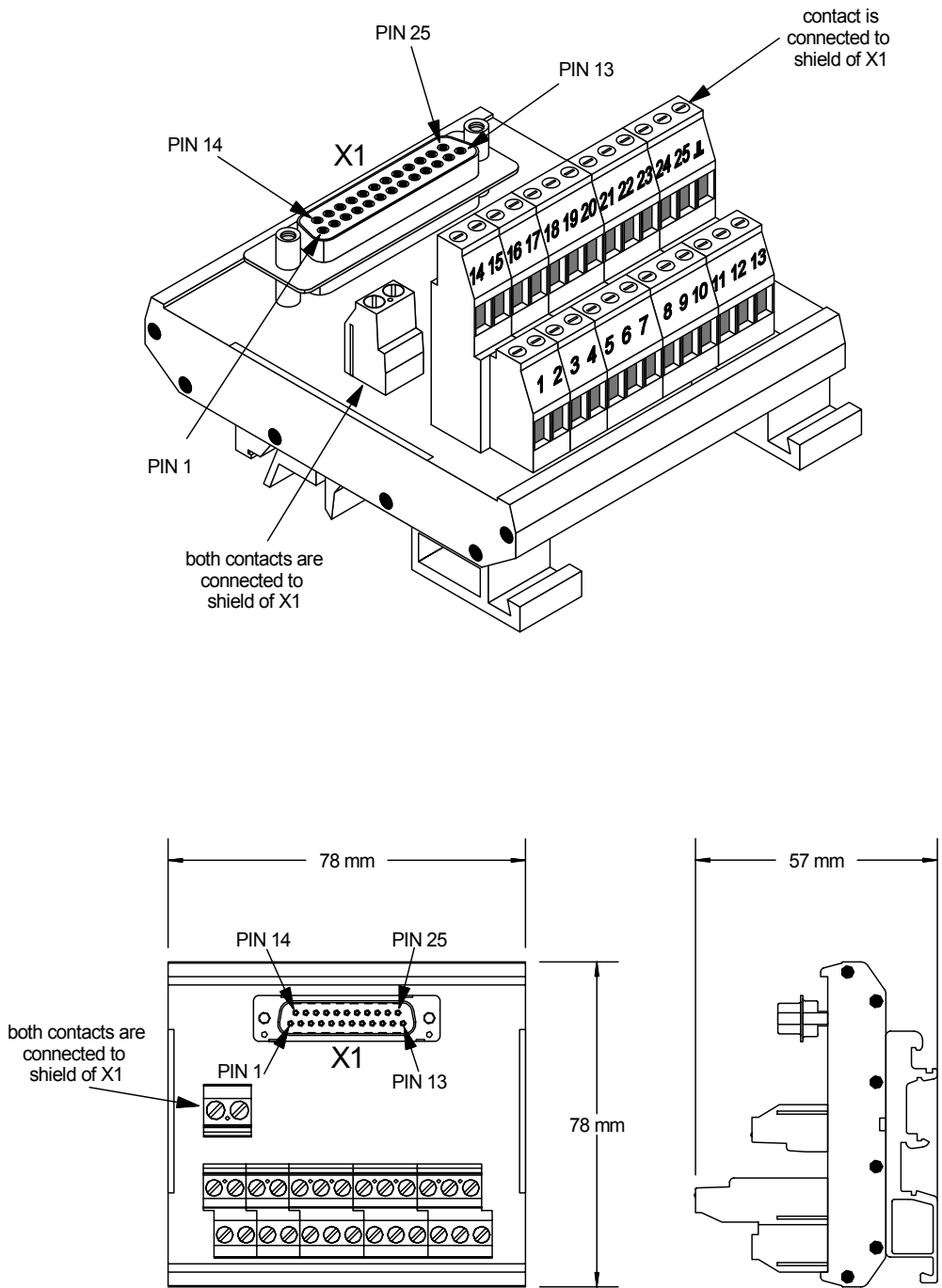


Figure 3-1 : Assembly Drawing