
TA203-10 HD68 Terminal Block

**68 pin terminal block with 68 pin female
SCSI-3 type connector**

Version 1.0

User Manual

Issue 1.1

September 2006

TEWS TECHNOLOGIES GmbH

Am Bahnhof 7
25469 Halstenbek, Germany
www.tews.com

Phone: +49-(0)4101-4058-0
Fax: +49-(0)4101-4058-19
e-mail: info@tews.com

TEWS TECHNOLOGIES LLC

9190 Double Diamond Parkway,
Suite 127, Reno, NV 89521, USA
www.tews.com

Phone: +1 (775) 850 5830
Fax: +1 (775) 201 0347
e-mail: usasales@tews.com

TA203-10 HD68 Terminal Block

68 pin terminal block with 68 female SCSI-3 type connector

This document contains information, which is proprietary to TEWS TECHNOLOGIES GmbH. Any reproduction without written permission is forbidden.

TEWS TECHNOLOGIES GmbH has made any effort to ensure that this manual is accurate and complete. However TEWS TECHNOLOGIES GmbH reserves the right to change the product described in this document at any time without notice.

TEWS TECHNOLOGIES GmbH is not liable for any damage arising out of the application or use of the device described herein.

Style Conventions

Hexadecimal characters are specified with prefix 0x, i.e. 0x029E (that means hexadecimal value 029E).

For signals on hardware products, an 'Active Low' is represented by the signal name with # following, i.e. IP_RESET#.

©2005-2006 by TEWS TECHNOLOGIES GmbH

IndustryPack is a registered trademark of SBS Technologies, Inc

Issue	Description	Date
1.0	First Issue	April 2005
1.1	New address TEWS LLC	September 2006

Table of Contents

1	PRODUCT DESCRIPTION.....	5
2	HD68 TERMINAL BLOCK PIN ASSIGNMENT.....	6
3	ASSEMBLY DRAWING.....	8

Table of Figures

FIGURE 2-1 :	HD68 TERMINAL BLOCK PIN ASSIGNMENT.....	6
FIGURE 2-2 :	CASE GROUND TERMINAL BLOCK PIN ASSIGNMENT.....	7
FIGURE 3-1 :	ASSEMBLY DRAWING.....	8

1 Product Description

The TA203-10 is used as a standard interface for a switch cabinet to connect a lot of TEWS modules with other system devices. The HD68 Terminal Block is therefore an essential wiring interface for prototyping and in the same way for machine and peripheral equipment.

Cable connection is designed to use a standard HD68 cable with 68 pin male SCSI-3 type connector. The screw connections of the used terminal block have a nominal cross section of 2.5 mm².

The TA203-10 has a universal socket and may simply mount on standard EM mounting rails as a compact terminal strip.

An additional screw connector provides a possibility to connect the shield of the 68pin male SCSI-3 type connector to external case ground.

2 HD68 Terminal Block Pin Assignment

Terminal	X2 female SCSI-3	Terminal	X2 female SCSI-3
1	1	35	35
2	2	36	36
3	3	37	37
4	4	38	38
5	5	39	39
6	6	40	40
7	7	41	41
8	8	42	42
9	9	43	43
10	10	44	44
11	11	45	45
12	12	46	46
13	13	47	47
14	14	48	48
15	15	49	49
16	16	50	50
17	17	51	51
18	18	52	52
19	19	53	53
20	20	54	54
21	21	55	55
22	22	56	56
23	23	57	57
24	24	58	58
25	25	59	59
26	26	60	60
27	27	61	61
28	28	62	62
29	29	63	63
30	30	64	64
31	31	65	65
32	32	66	66
33	33	67	67
34	34	68	68

Figure 2-1 : HD68 Terminal Block Pin Assignment

X2 Terminal Block	X1 female SCSI-3
1	Case ground / shield
2	Case ground / shield

Figure 2-2 : Case Ground Terminal Block Pin Assignment

3 Assembly Drawing

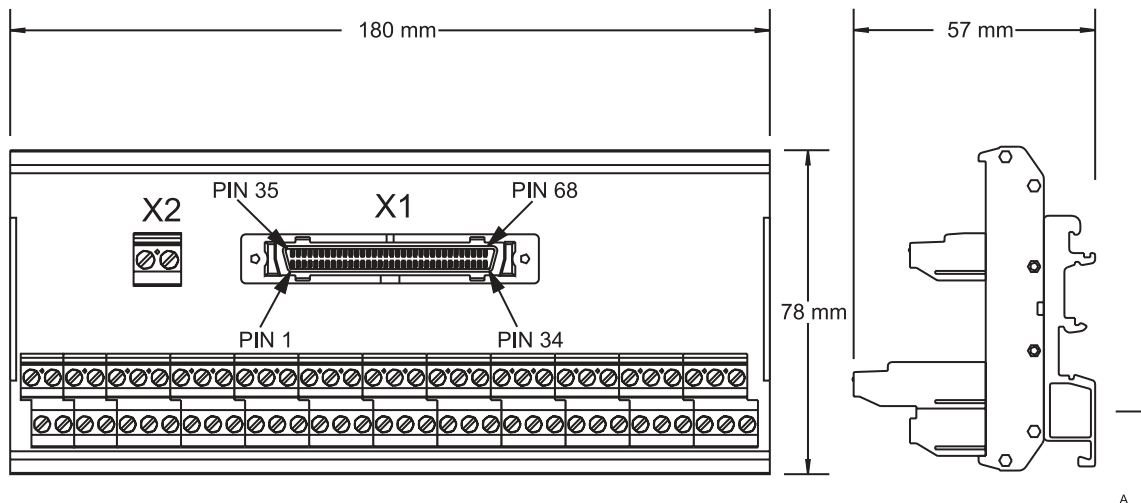
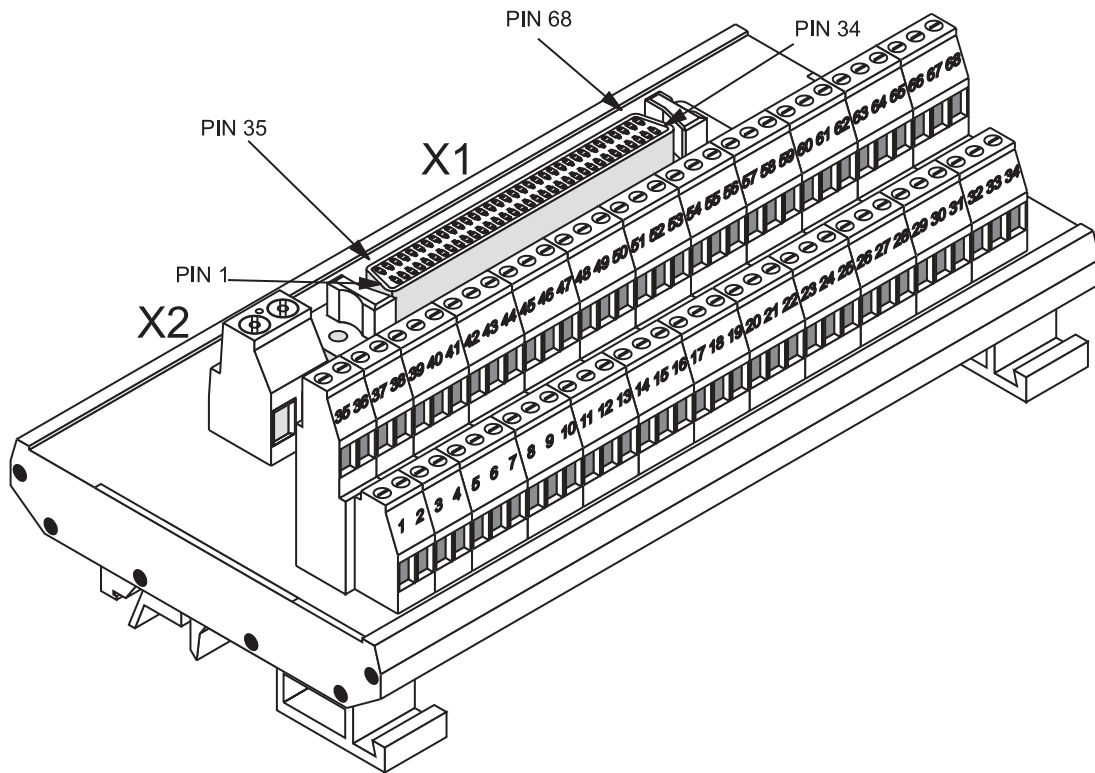


Figure 3-1 : Assembly Drawing