

---

# TA204-10 50 pin Ribbon Cable Connector Terminal Block

**50 pin terminal block with 50 pin ribbon  
cable connector**

Version 1.0

## **User Manual**

Issue 1.1

September 2006

---

**TEWS TECHNOLOGIES GmbH**

Am Bahnhof 7  
25469 Halstenbek, Germany  
[www.tews.com](http://www.tews.com)

Phone: +49-(0)4101-4058-0  
Fax: +49-(0)4101-4058-19  
e-mail: [info@tews.com](mailto:info@tews.com)

**TEWS TECHNOLOGIES LLC**

9190 Double Diamond Parkway,  
Suite 127, Reno, NV 89521, USA  
[www.tews.com](http://www.tews.com)

Phone: +1 (775) 850 5830  
Fax: +1 (775) 201 0347  
e-mail: [usasales@tews.com](mailto:usasales@tews.com)

## TA204-10 50 pin Ribbon Cable Connector Terminal Block

50 pin terminal block with 50 pin ribbon cable connector

This document contains information, which is proprietary to TEWS TECHNOLOGIES GmbH. Any reproduction without written permission is forbidden.

TEWS TECHNOLOGIES GmbH has made any effort to ensure that this manual is accurate and complete. However TEWS TECHNOLOGIES GmbH reserves the right to change the product described in this document at any time without notice.

TEWS TECHNOLOGIES GmbH is not liable for any damage arising out of the application or use of the device described herein.

### Style Conventions

Hexadecimal characters are specified with prefix 0x, i.e. 0x029E (that means hexadecimal value 029E).

For signals on hardware products, an 'Active Low' is represented by the signal name with # following, i.e. IP\_RESET#.

©2005-2006 by TEWS TECHNOLOGIES GmbH

IndustryPack is a registered trademark of SBS Technologies, Inc

---

<b>Issue</b>	<b>Description</b>	<b>Date</b>
1.0	First Issue	April 2005
1.1	New address TEWS LLC	September 2006

---

## Table of Contents

1	PRODUCT DESCRIPTION.....	5
2	50 PIN RIBBON CABLE TERMINAL BLOCK PIN ASSIGNMENT.....	6
3	ASSEMBLY DRAWING.....	7

## Table of Figures

FIGURE 2-1 :	50 PIN RIBBON CABLE TERMINAL BLOCK PIN ASSIGNMENT .....	6
FIGURE 3-1 :	ASSEMBLY DRAWING.....	7

---

# **1 Product Description**

The TA204-10 is used as a standard interface for a switch cabinet to connect a lot of TEWS modules with other system devices. The 50pin Ribbon Cable Terminal Block is therefore an essential wiring interface for prototyping and in the same way for machines and peripheral equipment.

Cable connection is designed to use a standard 50pin ribbon cable with 50pin ribbon cable connector. As a protection against accidentally release and for ejection the ribbon cable connector supplies two ejector latches. The screw connections of the used terminal block have a nominal cross section of 2.5 mm<sup>2</sup>.

The TA204-10 has a universal socket and may simply mount on standard EM mounting rails as a compact terminal strip.

## 2 50 pin Ribbon Cable Terminal Block Pin Assignment

Terminal Block	Ribbon Cable Connector	Terminal Block	Ribbon Cable Connector
1	1	26	26
2	2	27	27
3	3	28	28
4	4	29	29
5	5	30	30
6	6	31	31
7	7	32	32
8	8	33	33
9	9	34	34
10	10	35	35
11	11	36	36
12	12	37	37
13	13	38	38
14	14	39	39
15	15	40	40
16	16	41	41
17	17	42	42
18	18	43	43
19	19	44	44
20	20	45	45
21	21	46	46
22	22	47	47
23	23	48	48
24	24	49	49
25	25	50	50

Figure 2-1 : 50 pin Ribbon Cable Terminal Block Pin Assignment

### 3 Assembly Drawing

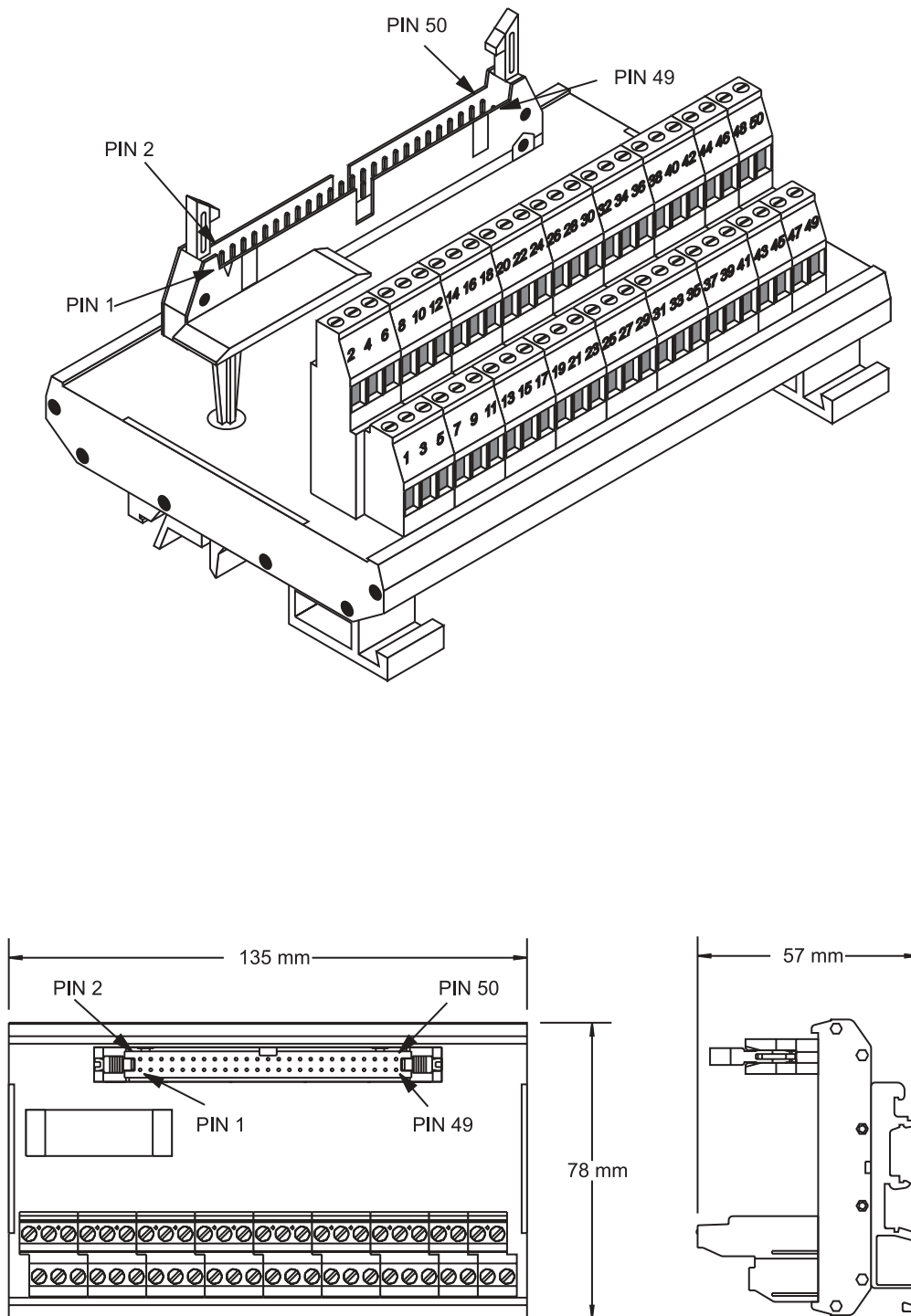


Figure 3-1 : Assembly Drawing