

The Embedded I/O Company



TA301-10 Cable Kit

Cable Kit for Modules with HD50 Connector

Version 1.0

User Manual

Issue 1.1

September 2006

TEWS TECHNOLOGIES GmbH

Am Bahnhof 7
25469 Halstenbek, Germany
www.tews.com

Phone: +49-(0)4101-4058-0
Fax: +49-(0)4101-4058-19
e-mail: info@tews.com

TEWS TECHNOLOGIES LLC

9190 Double Diamond Parkway,
Suite 127, Reno, NV 89521, USA
www.tews.com

Phone: +1 (775) 850 5830
Fax: +1 (775) 201 0347
e-mail: usasales@tews.com

TA301-10 Cable Kit

Cable Kit for Modules with HD50 Connector

This document contains information, which is proprietary to TEWS TECHNOLOGIES GmbH. Any reproduction without written permission is forbidden.

TEWS TECHNOLOGIES GmbH has made any effort to ensure that this manual is accurate and complete. However TEWS TECHNOLOGIES GmbH reserves the right to change the product described in this document at any time without notice.

TEWS TECHNOLOGIES GmbH is not liable for any damage arising out of the application or use of the device described herein.

Style Conventions

Hexadecimal characters are specified with prefix 0x, i.e. 0x029E (that means hexadecimal value 029E).

For signals on hardware products, an 'Active Low' is represented by the signal name with # following, i.e. IP_RESET#.

©2005-2006 by TEWS TECHNOLOGIES GmbH

IndustryPack is a registered trademark of SBS Technologies, Inc

Issue	Description	Date
1.0	First Issue	April 2005
1.1	New address TEWS LLC	September 2006

Table of Contents

1	PRODUCT DESCRIPTION.....	5
2	HD50 TERMINAL BLOCK PIN ASSIGNMENT.....	6
3	ASSEMBLY DRAWING.....	7

Table of Figures

FIGURE 2-1 : PIN ASSIGNMENT TA301-10.....	6
FIGURE 3-1 : TERMINAL BLOCK ASSEMBLY DRAWING.....	7
FIGURE 3-2 : CABLE ASSEMBLY DRAWING.....	8

1 Product Description

The TA301-10 combines the TA201-10 HD50 Terminal Block and the TA101-10 HD50 Cable. It is used to build a standard interface for a switch cabinet to connect a lot of TEWS modules with other system devices. The HD 50 Cable Kit is therefore an essential wiring interface for prototyping and in the same way for machines and peripheral equipment.

The HD50 Cable connection could be used for modules with standard 50pin SCSI-2 female connectors. At both sides of the cable 50pin male SCSI-2 connectors are mounted which provide a direct connection to a lot of TEWS products like PMC, PIM, CompactPCI and VME modules (for example TPMC600, TPMC500, TCP461, TPIM001, TVME201 and more).

Always two wires of the HD50 Cable are constructed as twisted pairs (1 and 26, 2 and 27, ..., 25 and 50).

The HD50 Terminal Block has a universal socket and may simply mount on standard EM mounting rails as a compact terminal strip. Screw connections of the used terminal block have a nominal cross section of 2.5 mm².

2 HD50 Terminal Block Pin Assignment

Terminal Block	Cable connector male SCSI-2	Terminal Block	Cable connector male SCSI-2
1	1	26	26
2	2	27	27
3	3	28	28
4	4	29	29
5	5	30	30
6	6	31	31
7	7	32	32
8	8	33	33
9	9	34	34
10	10	35	35
11	11	36	36
12	12	37	37
13	13	38	38
14	14	39	39
15	15	40	40
16	16	41	41
17	17	42	42
18	18	43	43
19	19	44	44
20	20	45	45
21	21	46	46
22	22	47	47
23	23	48	48
24	24	49	49
25	25	50	50

Figure 2-1 : Pin Assignment TA301-10

3 Assembly Drawing

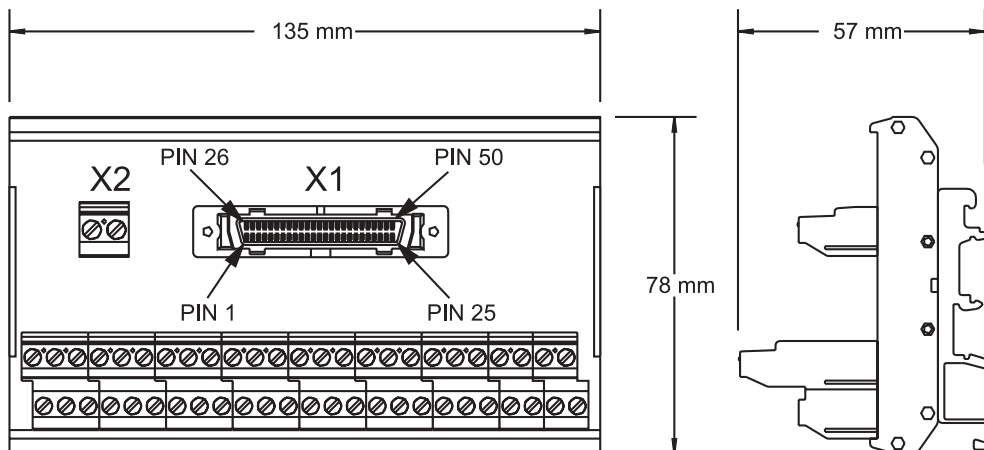
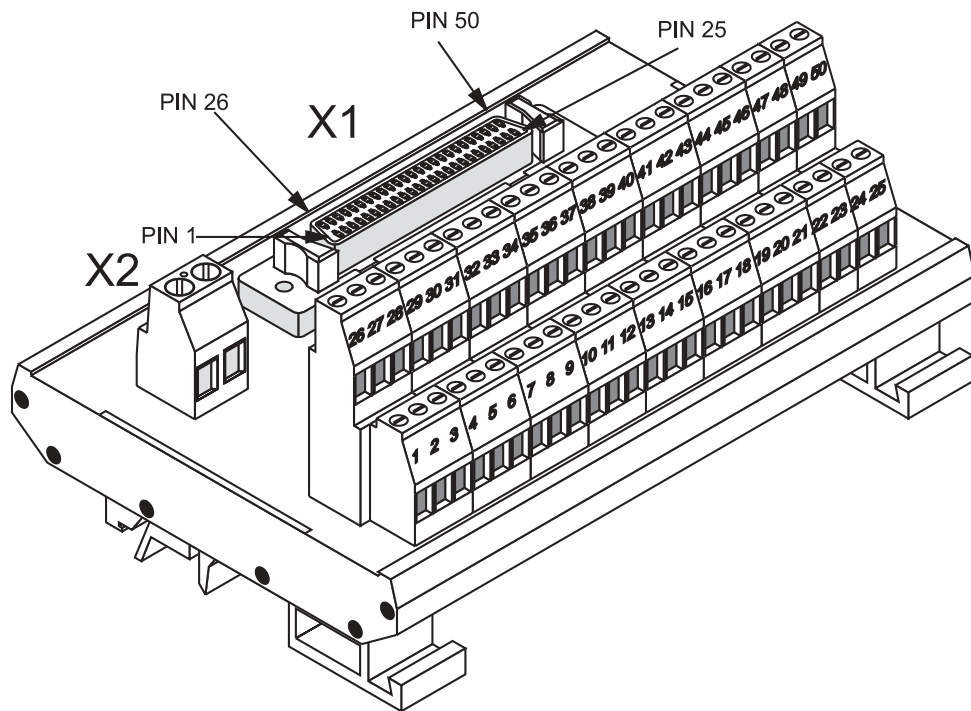
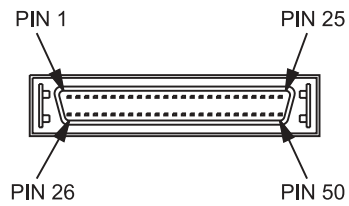
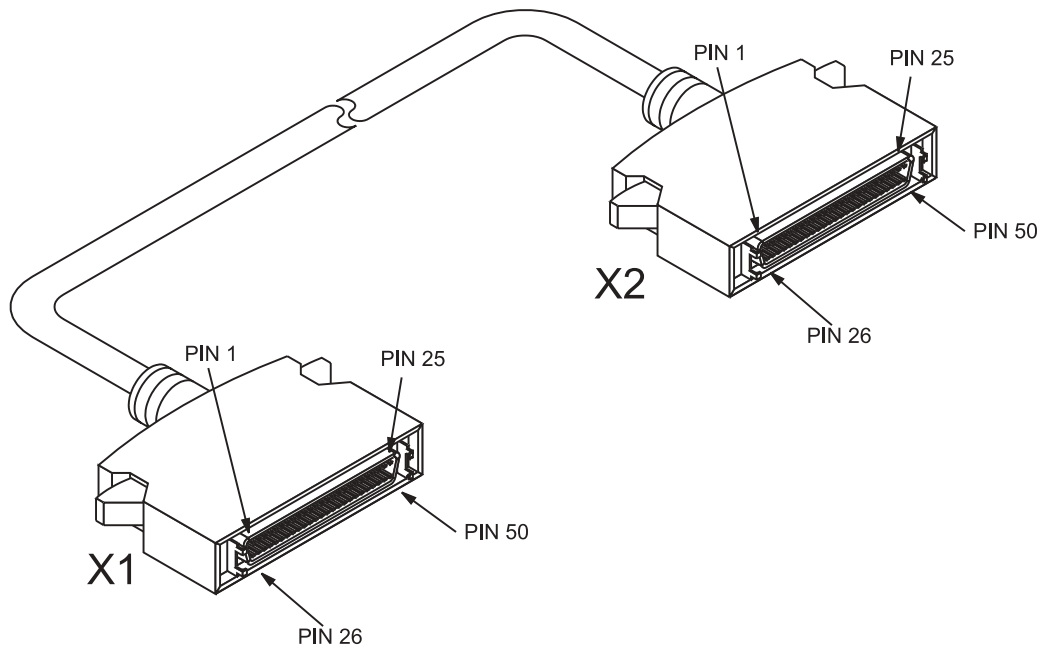


Figure 3-1 : Terminal block Assembly Drawing



Detail Pin Assignment : X1 and X2

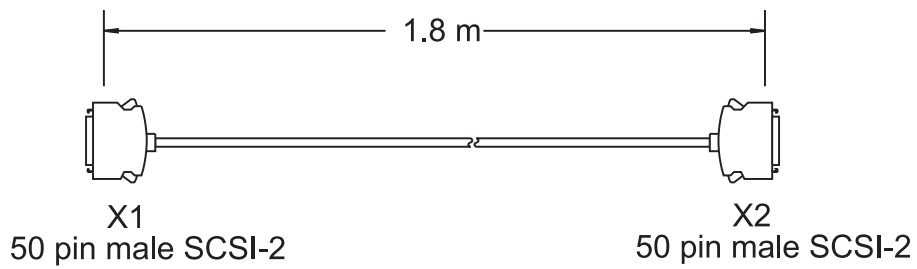


Figure 3-2 : Cable Assembly Drawing