

The Embedded I/O Company



TA302-10 Cable Kit

Cable Kit for TEWS modules with DB25 Male Connector

Version 1.0

User Manual

Issue 1.1

September 2006

TEWS TECHNOLOGIES GmbH

Am Bahnhof 7
25469 Halstenbek, Germany
www.tews.com

Phone: +49-(0)4101-4058-0
Fax: +49-(0)4101-4058-19
e-mail: info@tews.com

TEWS TECHNOLOGIES LLC

9190 Double Diamond Parkway,
Suite 127, Reno, NV 89521, USA
www.tews.com

Phone: +1 (775) 850 5830
Fax: +1 (775) 201 0347
e-mail: usasales@tews.com

TA302-10 Cable Kit

Cable Kit for modules for TEWS DB25 Male Connector

This document contains information, which is proprietary to TEWS TECHNOLOGIES GmbH. Any reproduction without written permission is forbidden.

TEWS TECHNOLOGIES GmbH has made any effort to ensure that this manual is accurate and complete. However TEWS TECHNOLOGIES GmbH reserves the right to change the product described in this document at any time without notice.

TEWS TECHNOLOGIES GmbH is not liable for any damage arising out of the application or use of the device described herein.

Style Conventions

Hexadecimal characters are specified with prefix 0x, i.e. 0x029E (that means hexadecimal value 029E).

For signals on hardware products, an 'Active Low' is represented by the signal name with # following, i.e. IP_RESET#.

©2005-2006 by TEWS TECHNOLOGIES GmbH

IndustryPack is a registered trademark of SBS Technologies, Inc

Issue	Description	Date
1.0	First Issue	April 2005
1.1	New address TEWS LLC	September 2006

Table of Contents

1	PRODUCT DESCRIPTION.....	5
2	DB25 TERMINAL BLOCK PIN ASSIGNMENT.....	6
3	ASSEMBLY DRAWING.....	7

Table of Figures

FIGURE 2-1 : PIN ASSIGNMENT TA302-10.....	6
FIGURE 3-1 : TERMINAL BLOCK ASSEMBLY DRAWING.....	7
FIGURE 3-2 : CABLE ASSEMBLY DRAWING.....	8

1 Product Description

The TA302-10 combines the TA202-10 DB25 Terminal Block and the TA102-10 DB25 M/F Cable. It is used to build a standard interface for a switch cabinet to connect a lot of TEWS modules with other system devices. The DB25 Cable Kit is therefore an essential wiring interface for prototyping and in the same way for machines and peripheral equipment.

The DB25 Cable connection could be used for modules with standard DB25 male connectors. At one side of the cable a DB25 male connector is mounted. This side could be direct connected to the DB25 Terminal Block. At the other side of the Cable a DB25 female connector is mounted which provides a direct connection to TEWS products (for example TPMC551, TPMC860, TPMC861, TPMC/TIP866-TM-10 and more).

The DB25 Terminal Block has a universal socket and may simply mount on standard EM mounting rails as a compact terminal strip. Screw connections of the used terminal block have a nominal cross section of 2.5 mm².

2 DB25 Terminal Block Pin Assignment

Terminal Block	X2 DB25 female
1	1
2	2
3	3
4	4
5	5
6	6
7	7
8	8
9	9
10	10
11	11
12	12
13	13
14	14
15	15
16	16
17	17
18	18
19	19
20	20
21	21
22	22
23	23
24	24
25	25

Figure 2-1 : Pin Assignment TA302-10

3 Assembly Drawing

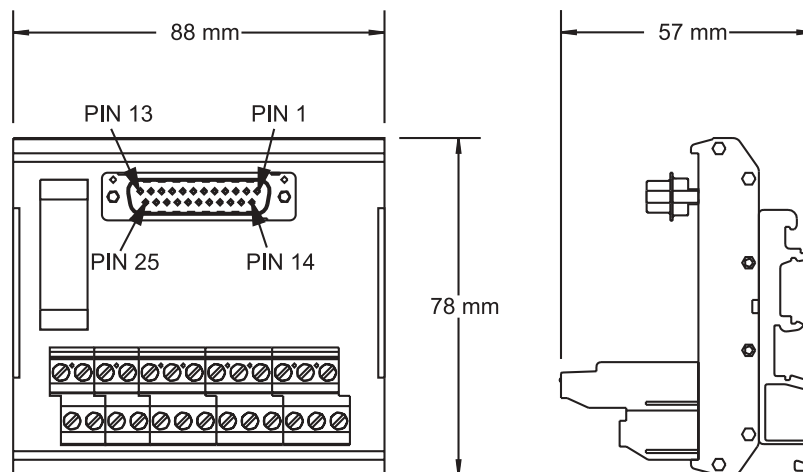
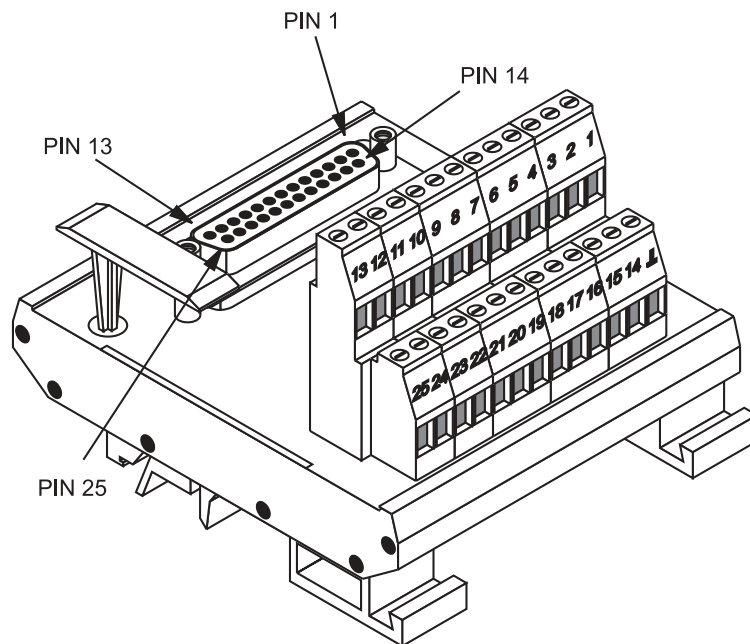


Figure 3-1 : Terminal block Assembly Drawing

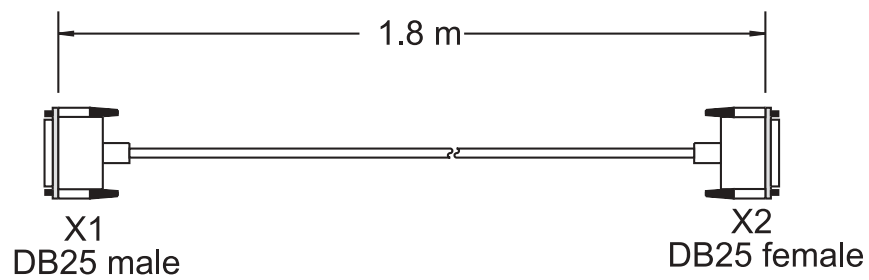
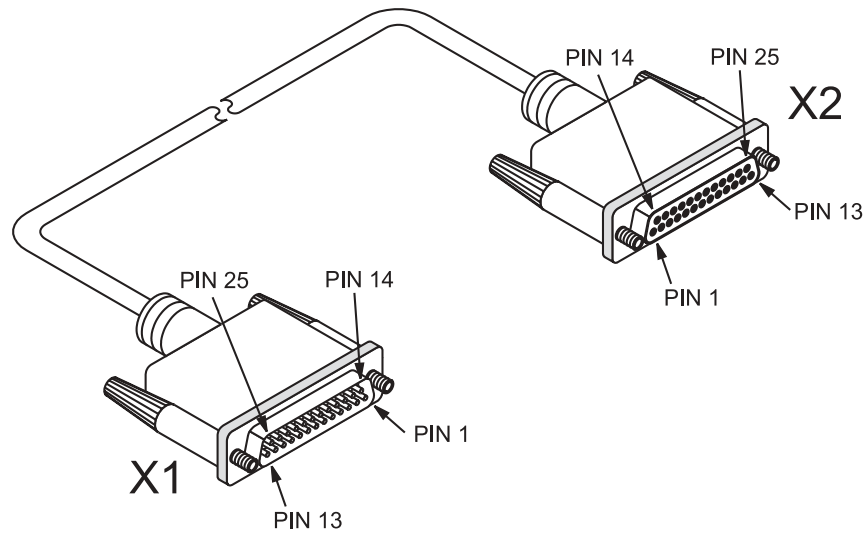


Figure 3-2 : Cable Assembly Drawing