

*The Embedded I/O Company*



---

# TA304-10 Cable Kit

**Cable Kit for Modules with HD68 Connector**

Version 1.0

## **User Manual**

Issue 1.1

September 2006

---

**TEWS TECHNOLOGIES GmbH**

Am Bahnhof 7  
25469 Halstenbek, Germany  
[www.tews.com](http://www.tews.com)

Phone: +49-(0)4101-4058-0  
Fax: +49-(0)4101-4058-19  
e-mail: [info@tews.com](mailto:info@tews.com)

**TEWS TECHNOLOGIES LLC**

9190 Double Diamond Parkway,  
Suite 127, Reno, NV 89521, USA  
[www.tews.com](http://www.tews.com)

Phone: +1 (775) 850 5830  
Fax: +1 (775) 201 0347  
e-mail: [usasales@tews.com](mailto:usasales@tews.com)

## TA304-10 Cable Kit

Cable Kit for Modules with HD68 Connector

This document contains information, which is proprietary to TEWS TECHNOLOGIES GmbH. Any reproduction without written permission is forbidden.

TEWS TECHNOLOGIES GmbH has made any effort to ensure that this manual is accurate and complete. However TEWS TECHNOLOGIES GmbH reserves the right to change the product described in this document at any time without notice.

TEWS TECHNOLOGIES GmbH is not liable for any damage arising out of the application or use of the device described herein.

### Style Conventions

Hexadecimal characters are specified with prefix 0x, i.e. 0x029E (that means hexadecimal value 029E).

For signals on hardware products, an 'Active Low' is represented by the signal name with # following, i.e. IP\_RESET#.

©2005-2006 by TEWS TECHNOLOGIES GmbH

IndustryPack is a registered trademark of SBS Technologies, Inc

---

<b>Issue</b>	<b>Description</b>	<b>Date</b>
1.0	First Issue	April 2005
1.1	New address TEWS LLC	September 2006

---

## Table of Contents

1	PRODUCT DESCRIPTION.....	5
2	HD68 TERMINAL BLOCK PIN ASSIGNMENT.....	6
3	ASSEMBLY DRAWING.....	7

## Table of Figures

FIGURE 2-1 : PIN ASSIGNMENT TA304-10.....	6
FIGURE 3-1 : TERMINAL BLOCK ASSEMBLY DRAWING.....	7
FIGURE 3-2 : CABLE ASSEMBLY DRAWING.....	8

---

# **1 Product Description**

The TA304-10 combines the TA203-10 HD68 Terminal Block and the TA104-10 HD68 cable. It is used to build a standard interface for a switch cabinet to connect a lot of TEWS modules with other system devices. The HD68 Cable Kit is therefore an essential wiring interface for prototyping and in the same way for machines and peripheral equipment.

The HD68 Cable connection could be used for modules with standard 68pin SCSI-3 female connectors. At both sides of the cable 68pin male SCSI-3 connectors are mounted which provide a direct connection to a lot of TEWS products like PMC, PIM and CompactPCI modules (for example TPMC460, TPMC851, TCP862, TPIM002, and more).

Always two wires of the HD68 Cable are constructed as twisted pairs (1 and 35, 2 and 36, ..., 34 and 68).

The HD68 Terminal Block has a universal socket and may simply mount on standard EM mounting rails as a compact terminal strip. Screw connections of the used terminal block have a nominal cross section of 2.5 mm<sup>2</sup>.

## 2 HD68 Terminal Block Pin Assignment

Terminal Block	male SCSI-3	Terminal Block	male SCSI-3
1	1	35	35
2	2	36	36
3	3	37	37
4	4	38	38
5	5	39	39
6	6	40	40
7	7	41	41
8	8	42	42
9	9	43	43
10	10	44	44
11	11	45	45
12	12	46	46
13	13	47	47
14	14	48	48
15	15	49	49
16	16	50	50
17	17	51	51
18	18	52	52
19	19	53	53
20	20	54	54
21	21	55	55
22	22	56	56
23	23	57	57
24	24	58	58
25	25	59	59
26	26	60	60
27	27	61	61
28	28	62	62
29	29	63	63
30	30	64	64
31	31	65	65
32	32	66	66
33	33	67	67
34	34	68	68

Figure 2-1 : Pin Assignment TA304-10

### 3 Assembly Drawing

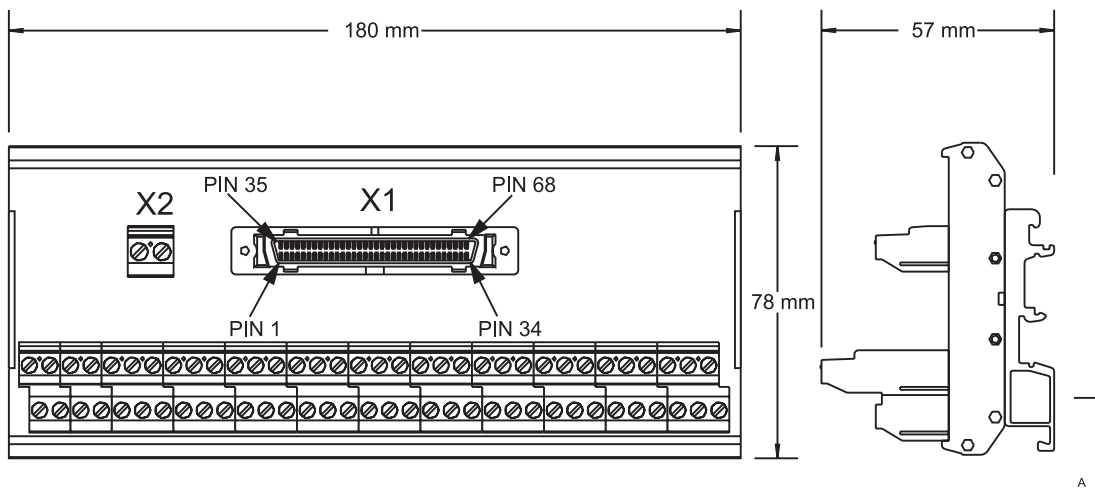
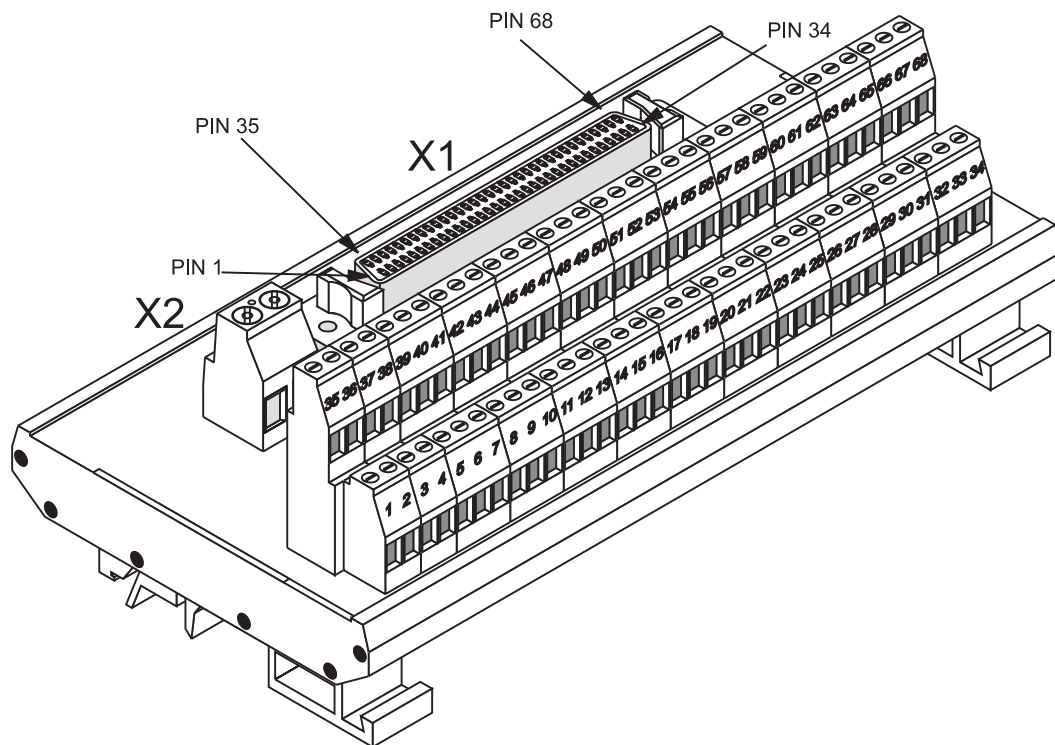
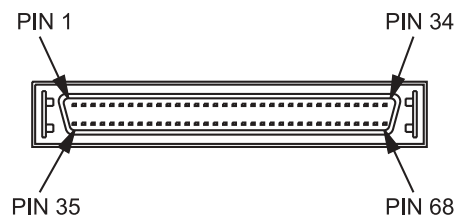
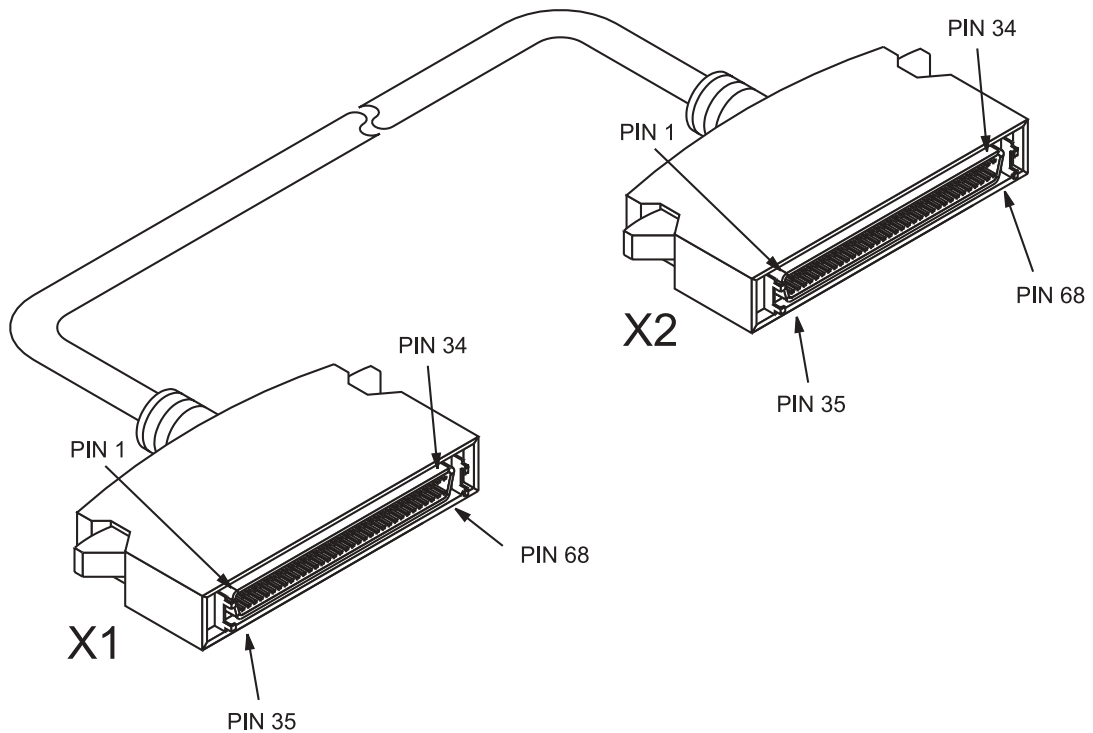


Figure 3-1 : Terminal block Assembly Drawing



Detail Pin Assignment : X1 and X2

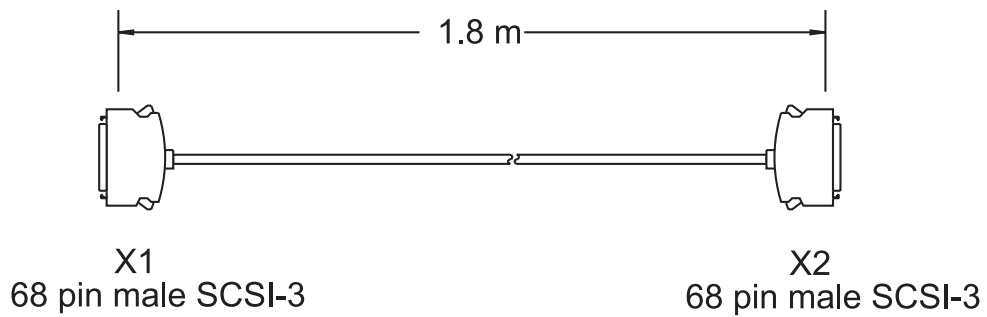


Figure 3-2 : Cable Assembly Drawing