

---

# TA305-10 Cable Kit

**Cable Kit for Modules with 50 pin Ribbon Cable  
Connector**

Version 1.0

## **User Manual**

Issue 1.1

September 2006

---

**TEWS TECHNOLOGIES GmbH**

Am Bahnhof 7  
25469 Halstenbek, Germany  
[www.tews.com](http://www.tews.com)

Phone: +49-(0)4101-4058-0  
Fax: +49-(0)4101-4058-19  
e-mail: [info@tews.com](mailto:info@tews.com)

**TEWS TECHNOLOGIES LLC**

9190 Double Diamond Parkway,  
Suite 127, Reno, NV 89521, USA  
[www.tews.com](http://www.tews.com)

Phone: +1 (775) 850 5830  
Fax: +1 (775) 201 0347  
e-mail: [usasales@tews.com](mailto:usasales@tews.com)

## TA305-10 Cable Kit

Cable Kit for Modules with 50 pin Ribbon Cable Connector

This document contains information, which is proprietary to TEWS TECHNOLOGIES GmbH. Any reproduction without written permission is forbidden.

TEWS TECHNOLOGIES GmbH has made any effort to ensure that this manual is accurate and complete. However TEWS TECHNOLOGIES GmbH reserves the right to change the product described in this document at any time without notice.

TEWS TECHNOLOGIES GmbH is not liable for any damage arising out of the application or use of the device described herein.

### Style Conventions

Hexadecimal characters are specified with prefix 0x, i.e. 0x029E (that means hexadecimal value 029E).

For signals on hardware products, an 'Active Low' is represented by the signal name with # following, i.e. IP\_RESET#.

©2005-2006 by TEWS TECHNOLOGIES GmbH

IndustryPack is a registered trademark of SBS Technologies, Inc

<b>Issue</b>	<b>Description</b>	<b>Date</b>
1.0	First Issue	April 2005
1.1	New address TEWS LLC	September 2006

---

## Table of Contents

1	PRODUCT DESCRIPTION.....	5
2	50 PIN TERMINAL BLOCK PIN ASSIGNMENT .....	6
3	ASSEMBLY DRAWING.....	7

## Table of Figures

FIGURE 2-1 : PIN ASSIGNMENT TA305-10 .....	6
FIGURE 3-1 : TERMINAL BLOCK ASSEMBLY DRAWING .....	7
FIGURE 3-2 : CABLE ASSEMBLY DRAWING .....	8

---

# **1 Product Description**

The TA305-10 combines the TA204-10 50 pin Ribbon Cable Connector Terminal Block and the TA106-10 50 pin Ribbon Cable. It is used to build a standard interface for a switch cabinet to connect TEWS modules with other system devices. The 50 pin Ribbon Cable Kit is therefore an essential wiring interface for prototyping and in the same way for machines and peripheral equipment.

The 50 pin Ribbon Cable connection could be used for modules with standard 50 pin ribbon cable connectors. At both sides of the cable 50 pin ribbon cable connectors are mounted which provide a direct connection to TEWS IP Carrier, for VME, PCI and CompactPCI systems (for example TVME200, TPCI200 and TCP211).

The Terminal Block has a universal socket and may simply mount on standard EM mounting rails as a compact terminal strip. Screw connections of the used terminal block have a nominal cross section of 2.5 mm<sup>2</sup>.

## 2 50 pin Terminal Block Pin Assignment

Terminal Block	Ribbon Cable Connector	Terminal Block	Ribbon Cable Connector
1	1	26	26
2	2	27	27
3	3	28	28
4	4	29	29
5	5	30	30
6	6	31	31
7	7	32	32
8	8	33	33
9	9	34	34
10	10	35	35
11	11	36	36
12	12	37	37
13	13	38	38
14	14	39	39
15	15	40	40
16	16	41	41
17	17	42	42
18	18	43	43
19	19	44	44
20	20	45	45
21	21	46	46
22	22	47	47
23	23	48	48
24	24	49	49
25	25	50	50

Figure 2-1 : Pin Assignment TA305-10

# 3 Assembly Drawing

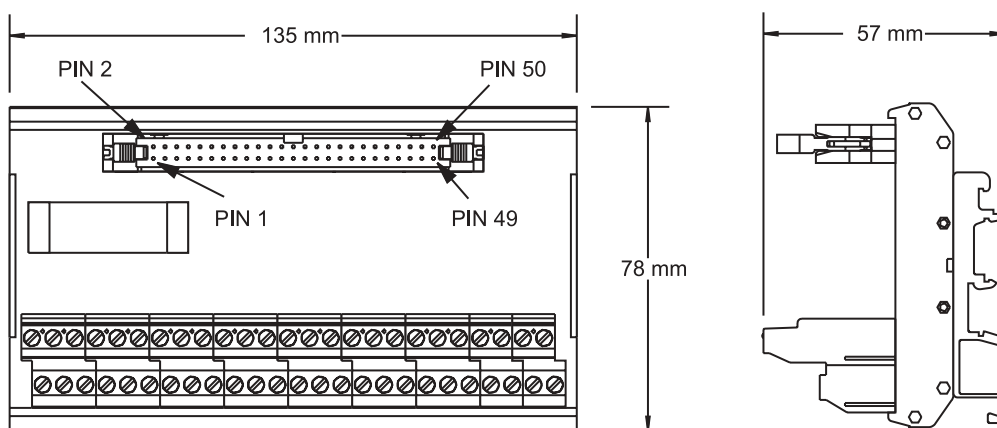
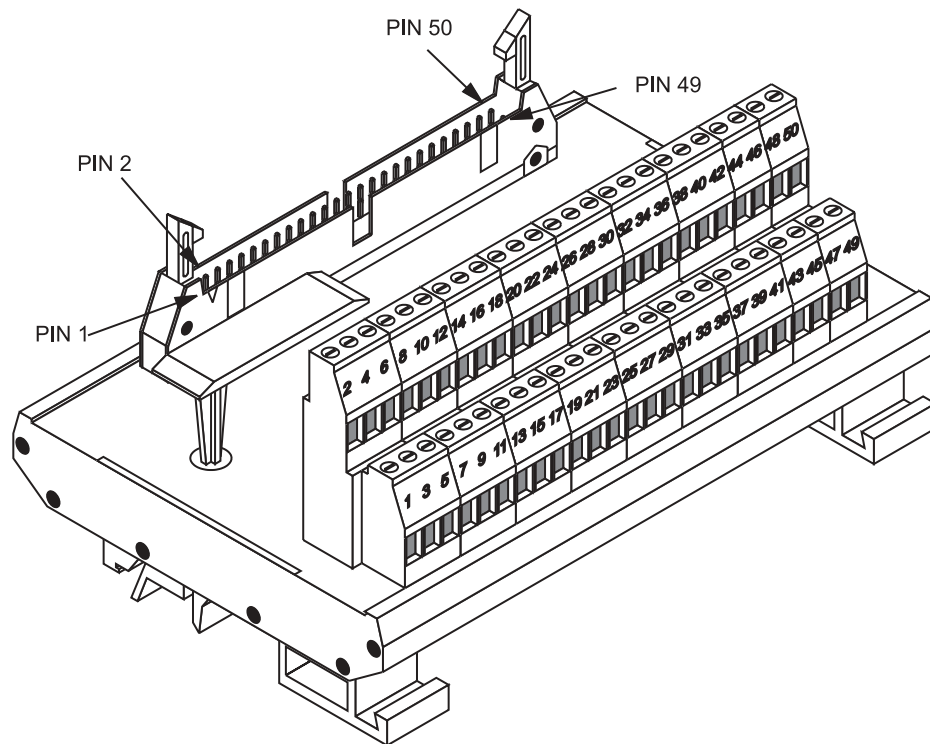


Figure 3-1 : Terminal block Assembly Drawing

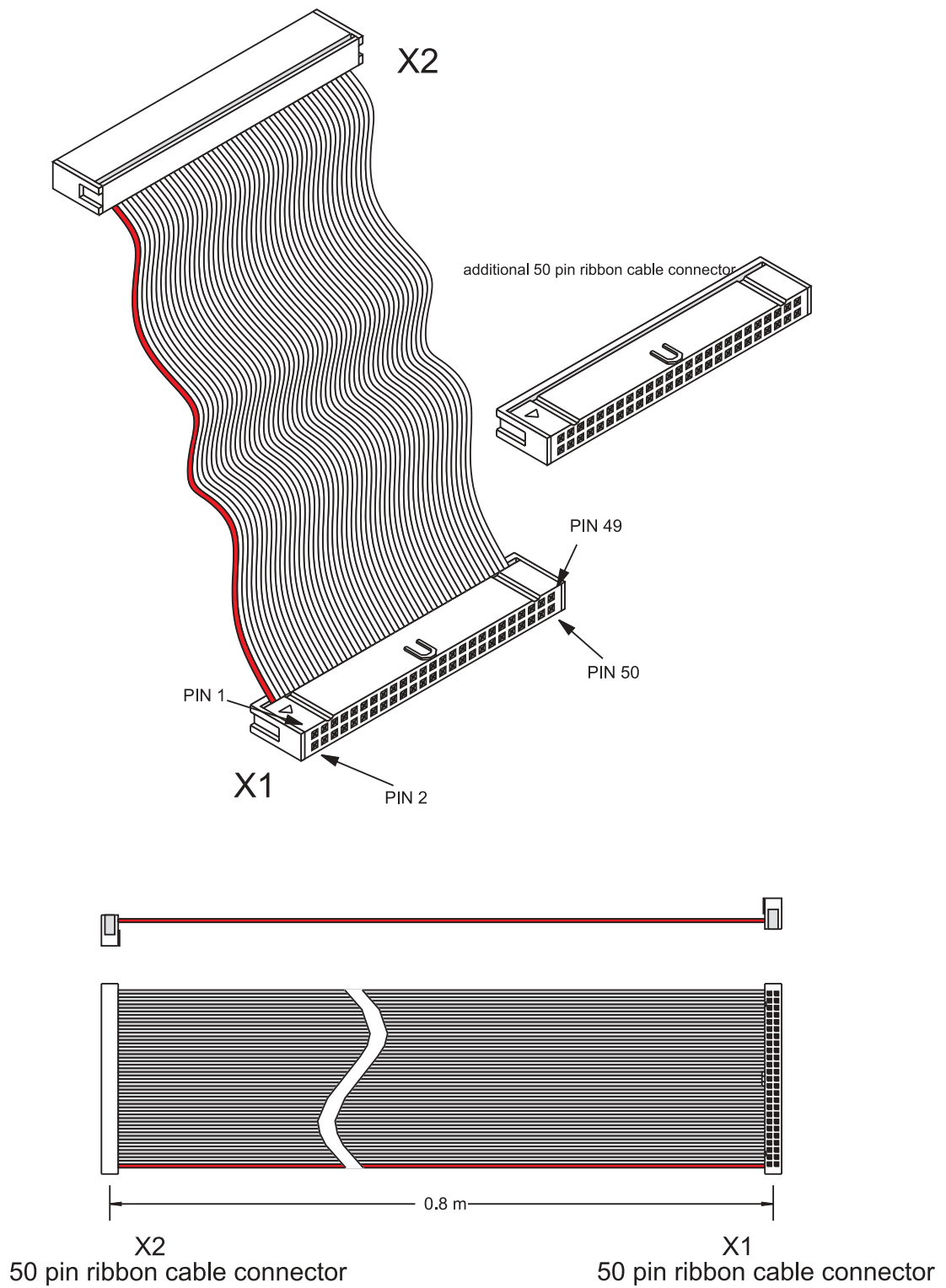


Figure 3-2 : Cable Assembly Drawing