

The Embedded I/O Company



TAMC260

PMC-Carrier for AMC

User Manual

Issue 1.0.1

July 2009

TEWS TECHNOLOGIES GmbH

Am Bahnhof 7 25469 Halstenbek, Germany

Phone: +49 (0) 4101 4058 0 Fax: +49 (0) 4101 4058 19

e-mail: info@tews.com www.tews.com

TAMC260-10

PMC-Carrier for AMC, 5V PMC I/O Signaling Voltage

TAMC260-10R

RoHS compliant version of TAMC260-10

TAMC260-11

PMC-Carrier for AMC, 3.3V PMC I/O Signaling Voltage

TAMC260-11R

RoHS compliant version of TAMC260-11

This document contains information, which is proprietary to TEWS TECHNOLOGIES GmbH. Any reproduction without written permission is forbidden.

TEWS TECHNOLOGIES GmbH has made any effort to ensure that this manual is accurate and complete. However TEWS TECHNOLOGIES GmbH reserves the right to change the product described in this document at any time without notice.

TEWS TECHNOLOGIES GmbH is not liable for any damage arising out of the application or use of the device described herein.

Style Conventions

Hexadecimal characters are specified with prefix 0x, i.e. 0x029E (that means hexadecimal value 029E).

For signals on hardware products, an 'Active Low' is represented by the signal name with # following, i.e. IP_RESET#.

Access terms are described as:

W	Write Only
R	Read Only
R/W	Read/Write
R/C	Read/Clear
R/S	Read/Set

©2009 by TEWS TECHNOLOGIES GmbH

All trademarks mentioned are property of their respective owners.

Issue	Description	Date
1.0.0	Initial Issue	May 2009
1.0.1	New Board Revision, added „Handling and Operation Instructions”	July 2009

Table of Contents

1	PRODUCT DESCRIPTION	6
2	TECHNICAL SPECIFICATION	7
3	HANDLING AND OPERATION INSTRUCTIONS	8
	3.1 ESD Protection	8
	3.2 PCI Bus Signaling Voltage	8
	3.3 Voltage Limits on PMCs	8
4	PEX8112 TARGET CHIP	9
	4.1 PCI Express Configuration Space Register Mapping	9
	4.1.1 PCI-Compatible Configuration Registers (Type 1)	9
	4.1.2 PCI-Compatible Capability Registers.....	10
	4.2 PCI Bus Device Number Mapping	11
	4.3 PCI Clock	11
5	CONFIGURATION HINTS	11
	5.1 PEX8112 Configuration EEPROM.....	11
6	MODULE MANAGEMENT	12
	6.1 Indicators	12
	6.1.1 On Board Link-LED	12
	6.1.2 Front Panel LEDs.....	12
	6.2 Temperature and Voltage Sensors.....	12
	6.3 Connectivity.....	13
7	PMC TO PCI INTERFACE	13
	7.1 PCI Signaling Voltage.....	13
	7.1.1 PCI Bus Signal Voltage Level	14
	7.1.2 PCI Signaling Levels and Voltage Keying.....	14
8	INSTALLATION	16
	8.1 AMC Module Insertion & Hot-Swap.....	16
	8.1.1 Insertion	16
	8.1.2 Extraction	16
	8.2 Installation of a PMC Module	16
	8.3 Voltage Limits on PMC Modules	17
9	PIN ASSIGNMENT	18
	9.1 Overview	18
	9.2 PMC J11 / P11	19
	9.3 PMC J12 / P12 and J22 / P22.....	20
	9.4 PMC J14 / P14.....	21
	9.5 Front Panel I/O Connector X1	22

List of Figures

FIGURE 1-1 : BLOCK DIAGRAM.....	6
FIGURE 7-1 : PCI SIGNAL VOLTAGE CONFIGURATION RESISTORS (BOTTOM VIEW).....	14
FIGURE 7-2 : PMC VOLTAGE KEYING.....	15
FIGURE 8-1 : INSTALLATION OF A PMC MODULE.....	17
FIGURE 9-1 : CONNECTOR OVERVIEW.....	18
FIGURE 9-2: FRONT PANEL I/O CONNECTOR NUMBERING.....	22

List of Tables

TABLE 2-1 : TECHNICAL SPECIFICATION.....	7
TABLE 4-1 : PCI-COMPATIBLE CONFIGURATION REGISTERS (TYPE 1).....	9
TABLE 4-2 : PCI-COMPATIBLE CAPABILITY REGISTERS.....	10
TABLE 4-3 : PCI BUS DEVICE NUMBER MAPPING.....	11
TABLE 6-1 : ON BOARD LINK-LED.....	12
TABLE 6-2 : FRONT PANEL LEDS.....	12
TABLE 6-3 : TEMPERATURE AND VOLTAGE SENSORS.....	12
TABLE 7-1 : TAMC260 PCI SIGNALING VOLTAGE FACTORY DEFAULTS.....	13
TABLE 7-2 : PCI SIGNAL VOLTAGE CONFIGURATION RESISTORS MATRIX.....	14
TABLE 7-3 : PCI SIGNAL VOLTAGE CONFIGURATION MATRIX.....	15
TABLE 8-1 : AMC MODULE INSERTION.....	16
TABLE 8-2 : AMC MODULE EXTRACTION.....	16
TABLE 8-3 : VOLTAGE LIMITS.....	17
TABLE 9-1 : PMC J11/P11 AND J21/P21 PIN ASSIGNMENT.....	19
TABLE 9-2 : PMC J12/P12 AND J22/P22 PIN ASSIGNMENT.....	20
TABLE 9-3 : PMC J14/P14 PIN ASSIGNMENT.....	21
TABLE 9-4 : X1 PIN ASSIGNMENT.....	23

1 Product Description

The TAMC260 is a standard double-width, full-height AMC module that provides one slot for a single-width PMC module used to build modular, flexible and cost effective I/O solutions for all kinds of applications like process control, medical systems, telecommunication and traffic control.

32 bit PCI accesses are supported on PCI bus with PCI frequency 33 MHz and also 66 MHz. The PLX8112 PCIe-to-PCI bridge provides the real connection between primary PCIe link and the PMC slot. The bridge controls all PCI accesses and the frequency for the PMC access.

The TAMC260 supports front panel I/O, alternatively a HD68 SCSI-V type connector provides access to the PMC P14 back I/O lines.

The TAMC260 is a versatile solution to upgrade well known legacy I/O solutions to a high performance form factor.

According to AMC.0, the TAMC260 provides an IPMI compliant Module Management Controller (MMC) with temperature monitoring and hot-swap support.

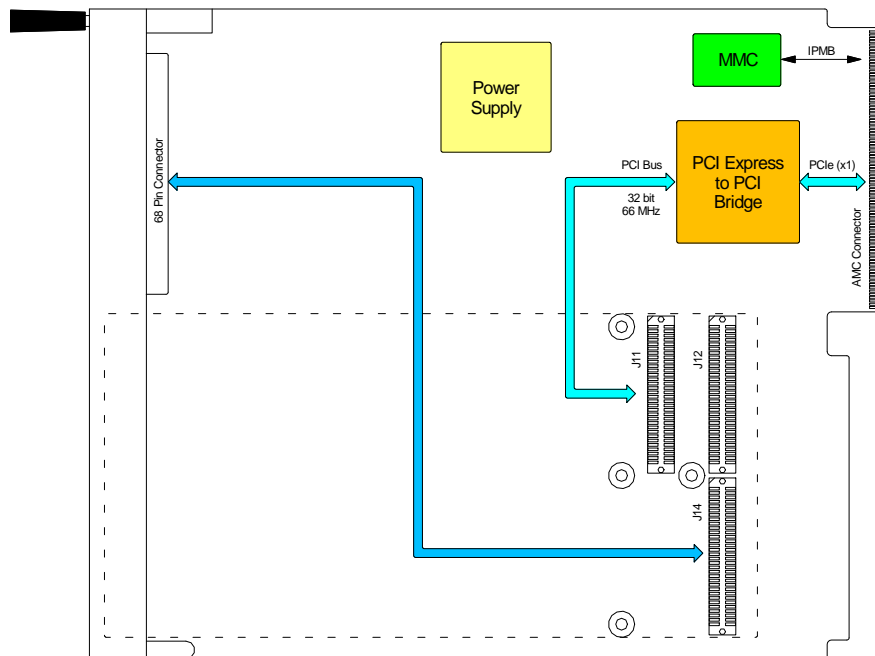


Figure 1-1 : Block Diagram

2 Technical Specification

AMC Interface	
Mechanical Interface	Advanced Mezzanine Card (AMC) Interface conforming to PICMG® AMC.0 R2.0 Double-width / Full-height Module
Electrical Interface	PICMG® AMC.1 R1.0 PCIe single lane (x1) port (AMC.1 Type 1 compliant)
IPMI	
IPMI Version	1.5
Front Panel LEDs	Blue Hot-Swap LED Red Failure Indication LED (LED1) Green Board OK / PMC Activity LED (LED 2)
On Board Devices	
PCI Express to PCI Bridge	PEX8112 (PLX Technology)
PMC Interface	
Number of PMC Slots	1
Supported PMC Data Width	32 bit
Supported PCI Clock Frequency	33 MHz / 66 MHz
PCI I/O Signaling Voltage	5V & 3.3V
PMC I/O Access	Front Panel I/O P14 Back I/O via front panel connector
Physical Data	
Power Requirements	100 mA typical @ +12V DC (Payload Power) 30 mA typical @ +3.3V DC (Management Power) Additional power is required by PMC modules
Maximum Power for PMC Modules	2 A typical @ +5V DC 2 A typical @ +3.3V DC 200 mA typical @ +12V DC 200 mA typical @ -12V DC
Temperature Range	Operating -40°C - +85°C Storage -40°C - +85°C
MTBF	570 000 h MTBF values shown are based on calculation according to MIL-HDBK-217F and MIL-HDBK-217F Notice 2; Environment: G _B 20°C. The MTBF calculation is based on component FIT rates provided by the component suppliers. If FIT rates are not available, MIL-HDBK-217F and MIL-HDBK-217F Notice 2 formulas are used for FIT rate calculation.
Humidity	5 – 95 % non-condensing
Weight	165 g

Table 2-1 : Technical Specification

3 Handling and Operation Instructions

3.1 ESD Protection



The TAMC260 is sensitive to static electricity. Packing, unpacking and all other handling of the TAMC260 has to be done in an ESD/EOS protected Area.

3.2 PCI Bus Signaling Voltage



Be sure that the TAMC260 PCI bus Signal Voltage configuration matches the TAMC260 PMC slots keying pin configuration. If PMC modules are plugged into a PCI environment where the PCI signaling voltage does not match, damage to the equipment could occur, voiding product warranties. Refer to the chapter “PCI Signaling Voltage” for details.

3.3 Voltage Limits on PMCs



The AMC.0 specification limits the voltages on AMC modules. These limits also apply to mounted PMCs. Refer to the chapter “Voltage Limits on PMC Modules” for details.

4 PEX8112 Target Chip

The PLX8112 PCIe-to-PCI bridge provides the real connection between primary PCIe link and the PMC slot. The bridge controls all PCI accesses and the frequency for the PMC access.

4.1 PCI Express Configuration Space Register Mapping

4.1.1 PCI-Compatible Configuration Registers (Type 1)

PCI CFG Register Address	31	24	23	16	15	8	7	0	Read after initialization write access
0x00	PCI Device ID				PCI Vendor ID				10B5 8112
0x04	PCI Status				PCI Command				0010 0000
0x08	PCI Class Code						PCI Device Revision ID		060400 AA
0x0C	PCI Built-In Self-Test (Not Supported)	PCI Header Type		Internal PCI Bus Latency Timer		PCI Cache Line Size			00 01 00 00
0x10	PCI Base Address 0								0000000C
0x14	PCI Base Address 1								00000000
0x18	Secondary Latency Timer	Subordinate Bus Number		Secondary Bus Number		Primary Bus Number			00 00 00 00
0x1C	Secondary Status				I/O Limit		I/O Base		0220 00 00
0x20	Memory Limit				Memory Base				0000 0000
0x24	Prefetchable Memory Limit				Prefetchable Memory Base				0000 0000
0x28	Prefetchable Memory Base Upper 32 Bits								00000000
0x2C	Prefetchable Memory Limit Upper 32 Bits								00000000
0x30	I/O Limit Upper 16 Bits				I/O Base Upper 16 Bits				0000 0000
0x34	Reserved						PCI Capabilities Pointer		000000 40
0x38	PCI Base Address for Expansion ROM (Not Supported)								
0x3C	Bridge Control				Internal PCI Interrupt Wire		Internal PCI Interrupt Line		0000 01 00

Table 4-1 : PCI-Compatible Configuration Registers (Type 1)

4.1.2 PCI-Compatible Capability Registers

PCI CFG Register Address	31	24	23	16	15	8	7	0	Read after initialization write access
0x40	Power Management Capabilities			Power Management Next Capability Pointer		Power Management Capability ID		6A02 5001	
0x44	Power Management Data		Power Management Bridge Support		Power Management Control/Status			00 00 0000	
0x48	Device-Specific Control							0000 0000	
0x4C	Reserved							0000 0000	
0x50	Message Singled Interrupts Control			Message Signaled Interrupts Next Capability Pointer		Message Signaled Interrupts Capability ID		0080 60 05	
0x54	Message Signaled Interrupts Address							0000 0000	
0x58	Message Signaled Interrupts Upper Address							0000 0000	
0x5C	Reserved			Message Signaled Interrupts Data				0000 0000	
0x60	PCI Express Capabilities			PCI Express Next Capability Pointer		PCI Express Capability ID		0071 00 10	
0x64	Device Capabilities							0000 0000	
0x68	PCI Express Device Status			PCI Express Device Control				0000 2000	
0x6C	Link Capabilities							0002 4C11	
0x70	Link Status			Link Control				0011 0000	
0x74	Slot Capabilities							0000 0C80	
0x78	Slot Status			Slot Control				0400 0000	
0x7C	Reserved			Root Control				0000 0000	
0x80	Root Status							0000 0000	
0x84	Main Control Register Index							0000 0000	
0x88	Main Control Register Data							0000 0000	

Table 4-2 : PCI-Compatible Capability Registers

4.2 PCI Bus Device Number Mapping

The PCI bus device number of the PMC slot is defined by configuration type translation of the PEX8112 PCI-Express to PCI Bridge.

By default PMC slot 1 is mapped to bus device number 0x04.

PCI Bus Device Number (HEX)	PCI Bus AD(31:16) (Binary)	PCI AD Line used as PMC IDSEL	Purpose
0	0000 0000 0000 0001	16	Default IDSEL for PMC1
1 – 3	0000 0000 0000 0010 ... 0000 0000 0000 1000	17 – 19	Not used on TAMC260
4	0000 0000 0001 0000	20	Optional IDSEL for PMC1
5 – F	0000 0000 0010 0000 ... 1000 0000 0000 0000	21 – 31	Not used on TAMC260
10 – 1E	0000 0000 0000 0000	None	Not implemented by PCI-Express to PCI bridge
1F	Special Cycle Data	-	Special Cycles for PMC

Table 4-3 : PCI Bus Device Number Mapping

4.3 PCI Clock

The PCI bus clock on the TAMC260 is configured by the plugged PMC modules. The TAMC260 supports 66MHz PCI bus clock. If the plugged PMC module does only support 33 MHz operation, the PCI bus will always operate with 33 MHz only.

5 Configuration Hints

5.1 PEX8112 Configuration EEPROM

After power-on or PCI reset, the PEX8112 loads initial configuration register data from an on board configuration EEPROM. Only register values differing from default values are stored in the EEPROM.

For further information please refer to the PEX8112 manual.

Modifications are:

- Address Stepping is disabled (PCI Command Register)
- Slot Clock Configuration is enabled (Link Status/Control Register)
- PCI Express Enable (Device Initialization Register)

6 Module Management

6.1 Indicators

For a quick visual inspection the TAMC260 offers 3 LEDs in the front panel and one on board LED.

6.1.1 On Board Link-LED

To help diagnose system bring up problems, the Link Up status of the PEX8112 can be visually inspected with an on board LED.

LED	Color	State	Description
Link	Red	Off	Link
		On	No Link

Table 6-1 : On Board Link-LED

6.1.2 Front Panel LEDs

LED	Color	State	Description
HS	Blue	Off	No Power or module is powered
		Short Blink	Hot-Swap negotiation (extraction)
		Long Blink	Hot-Swap negotiation (insertion)
		On	Module is ready to be powered or module is ready to be unpowered
FAIL	Red	Off	No fault
		On	Failure or out of service status
PMC	Green	Off	Board is unpowered
		On	Board is powered
		Blink	PMC activity

Table 6-2 : Front Panel LEDs

6.2 Temperature and Voltage Sensors

Sensor Number	Signal Type	Signal Monitored
0	Event	Hot-swap switch
1	Temperature	LM75 #1
2	Temperature	LM75 #2
3	Voltage	+12V (PWR)
4	Voltage	+1.5V
5	Voltage	+12V (PMC)
6	Voltage	-12V (PMC)

Table 6-3 : Temperature and Voltage Sensors

6.3 Connectivity

The TAMC260 provides a single x1 2.5 Gbps PCI-Express Link on AMC Port 4. The PCI-Express Interface works with SSC and non SSC PCI-Express Reference Clocks.

7 PMC to PCI Interface

7.1 PCI Signaling Voltage

PMC modules are specified for 3.3V only, 5V only or universal (3.3V or 5V) PCI signal voltage operation.

The TAMC260 on board S_V/IO signal voltage level defines the PCI signal voltage level for the TAMC260 PCI bus. A voltage key pin indicates the PCI signal voltage and prevents PMCs with a wrong signaling voltage from being plugged onto the carrier.

TAMC260	S_V/IO Configuration	5V Keying Pin Configuration	3.3V Keying Pin Configuration
-10	5V	Installed	Not Installed
-11	3.3V	Not Installed	Installed

Table 7-1 : TAMC260 PCI Signaling Voltage Factory Defaults

WARNING!!!

Be sure that the TAMC260 PCI bus Signal Voltage (S_V/IO) configuration matches the TAMC260 PMC slots keying pin configuration.

Be sure that the used PMC modules match to the TAMC260 PCI bus Signal Voltage and PMC slot keying pin configuration.

If PMC modules are plugged into a PCI environment where the PCI signaling voltage does not match, damage to the equipment could occur, voiding product warranties.

7.1.1 PCI Bus Signal Voltage Level

The S_V/IO signal voltage level is configured on board with three resistors. To change the S_V/IO voltage level, these resistors must be soldered to the appropriate soldering terminals. These reside on the bottom side of the TAMC260 and are grouped with a copper frame.



Figure 7-1 : PCI Signal Voltage Configuration Resistors (Bottom View)

TAMC260 S_V/IO Configuration	Populated Resistors	Unpopulated Resistors
5V	R88, R89, R90	R85, R86, R87
3.3V	R85, R86, R87	R88, R89, R90

Table 7-2 : PCI Signal Voltage Configuration Resistors Matrix

7.1.2 PCI Signaling Levels and Voltage Keying

To prevent a PMC from being plugged into a PMC system with a different PCI signaling voltage, the PMC specification defines voltage keying with keying pins (on the PMC carrier board) and keying holes (on the PMC module).

PMC cards that only support 5 Volt PCI signaling voltage provide a single keying hole for the 5 Volt keying pin. A 3.3 Volt only PMC provides only the keying hole for the 3.3 Volt keying pin. Universal PMC cards, which can handle 3.3 Volt and 5 Volt PCI signaling voltage, have keying holes for both voltage keying pins.

In certain system configurations it may be necessary to remove the keying pin from one location and assemble it at the other keying pin location.

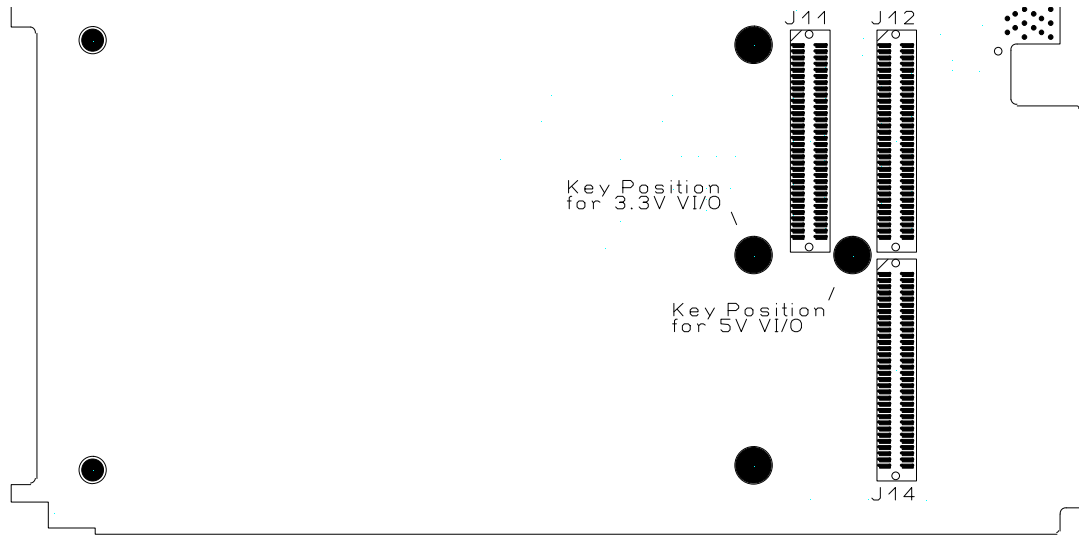


Figure 7-2 : PMC Voltage Keying

Use the following table to identify the required TAMC260 voltage keying for the actual PMC modules that are to be used.

PMC PCI Signal Voltage Capability	TAMC260 S_V/I/O Configuration	TAMC260 5V Keying Pin Configuration	TAMC260 3.3V Keying Pin Configuration
3.3V Only	3.3V	Not Installed	Installed
3.3V or 5V	3.3V	Not Installed	Installed
	5V	Installed	Not Installed
5V Only	5V	Installed	Not Installed

Table 7-3 : PCI Signal Voltage Configuration Matrix

8 Installation

8.1 AMC Module Insertion & Hot-Swap

8.1.1 Insertion

Handle	Blue LED	Description
Open (Full extracted)	OFF	Insert Module into slot
Open (Full extracted)	ON	Module is ready to attempt activation
Closed (Pushed all way in)	Long Blink	Hot-Swap Negotiation
Closed (Pushed all way in)	OFF	Module is ready & powered

Table 8-1 : AMC Module Insertion

When the blue LED does not go off, but returns to the “ON” state, the module FRU information is invalid or the carrier cannot provide the necessary power.

8.1.2 Extraction

Handle	Blue LED	Description
Pulled out 1/2	OFF	Request Hot-Swap
Pulled out 1/2	Short Blink	Hot-Swap Negotiation
Pulled out 1/2	ON	Module is ready to be extracted
Open (Full extracted)	ON	Extract Module from slot

Table 8-2 : AMC Module Extraction

8.2 Installation of a PMC Module

Before installing a PMC module, be sure that the power supply for the TAMC260 is turned off.

The components are Electrostatic Sensitive Devices (ESD). Use an anti-static mat connected to a wristband when handling or installing the components.

If the PMC has a front panel, remove the cover from the PMC front panel cut-out of the TAMC260. Install the PMC at an angle so that the PMC front panel penetrates the PMC front panel cut-out. Then rotate down to mate with the PMC connectors on the TAMC260. If the PMC has no front panel, simply plug in the PMC, and leave the cover in the PMC front panel cut-out of the TAMC260.

After the PMC module has been installed, it can be mounted on the TAMC260 using the mounting screws that come with the PMC module. There are four screw mounting locations, two at the PMC front panel and two at the standoffs near the PMC bus connectors.

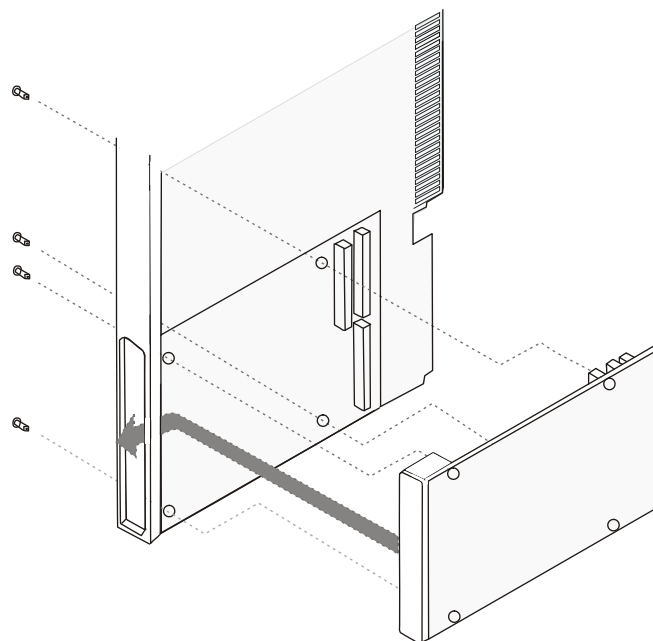


Figure 8-1 : Installation of a PMC Module

WARNING!!!

Be sure that the TAMC260 PCI bus Signal Voltage (S_V/I/O) configuration matches the TAMC260 PMC slots keying pin configuration.

Be sure that the used PMC modules match to the TAMC260 PCI bus Signal Voltage and PMC slot keying pin configuration.

If PMC modules are plugged into a PCI environment where the PCI signaling voltage does not match, damage to the equipment could occur, voiding product warranties.

8.3 Voltage Limits on PMC Modules

The AMC.0 specification limits the voltages on AMC modules to following thresholds:

	DC voltage	AC voltage
Positive	+27V	+27V peak
Negative	-15V	-15V peak

Table 8-3 : Voltage Limits

For PMC modules using voltages (including I/O voltages) that exceed these thresholds, an additional insulation to adjacent modules or carrier boards becomes necessary.

9 Pin Assignment

9.1 Overview

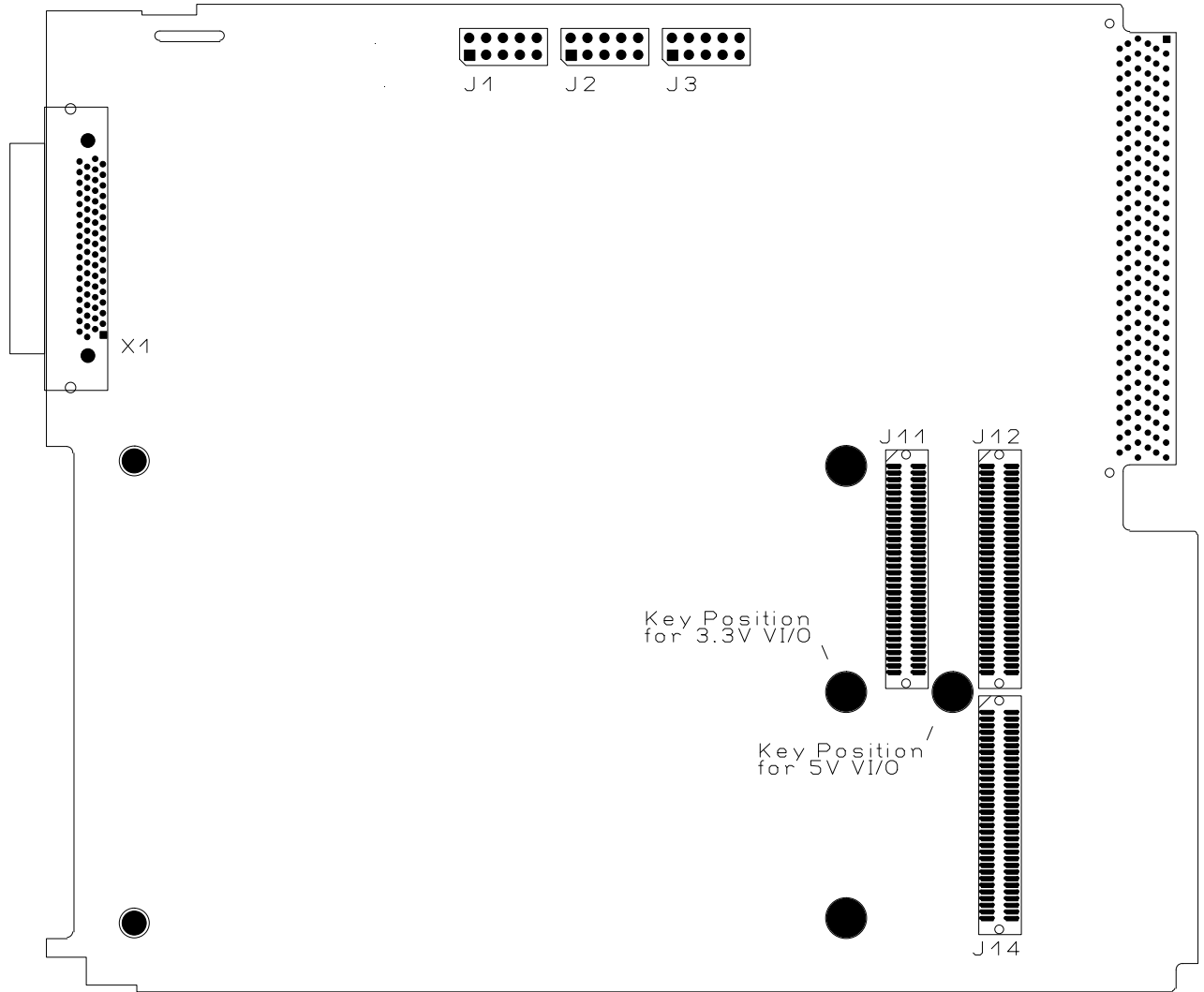


Figure 9-1 : Connector Overview

J1, J2 and J3 are for factory use only.

9.2 PMC J11 / P11

Pin	Signal		Signal	Pin
1	TCK		-12V	2
3	GND		INTA#	4
5	INTB#		INTC#	6
7	BUSMODE1#		+5V	8
9	INTD#		PCI-RSVD	10
11	GND		3.3Vaux	12
13	CLK		GND	14
15	GND		GNT#	16
17	REG#		+5V	18
19	V (I/O)		AD[31]	20
21	AD[28]		AD[27]	22
23	AD[25]		GND	24
25	GND		C/BE[3]#	26
27	AD[22]		AD[21]	28
29	AD[19]		+5V	30
31	V (I/O)		AD[17]	32
33	FRAME#		GND	34
35	GND		IRDY#	36
37	DEVSEL#		+5V	38
39	GND		LOCK#	40
41	PCI-RSVD		PCI-RSVD	42
43	PAR		GND	44
45	V (I/O)		AD[15]	46
47	AD[12]		AD[11]	48
49	AD[09]		+5V	50
51	GND		C/BE[0]#	52
53	AD[06]		AD[05]	54
55	AD[04]		GND	56
57	V (I/O)		AD[03]	58
59	AD[02]		AD[01]	60
61	AD[00]		+5V	62
63	GND		REQ64#	64

Table 9-1 : PMC J11/P11 and J21/P21 Pin Assignment

9.3 PMC J12 / P12 and J22 / P22

Pin	Signal		Signal	Pin
1	+12V		TRST#	2
3	TMS		TDO	4
5	TDI		GND	6
7	GND		PCI-RSVD	8
9	PCI-RSVD		PCI-RSVD	10
11	BUSMODE2#		+3.3V	12
13	RST#		BUSMODE3#	14
15	+3.3V		BUSMODE4#	16
17	PME#		GND	18
19	AD[30]		AD[29]	20
21	GND		AD[26]	22
23	AD[24]		+3.3V	24
25	IDSEL		AD[23]	26
27	+3.3V		AD[20]	28
29	AD[18]		GND	30
31	AD[16]		C/BE[2]#	32
33	GND		PMC-RSVD	34
35	TRDY#		+3.3V	36
37	GND		STOP#	38
39	PERR#		GND	40
41	+3.3V		SERR#	42
43	C/BE[1]#		GND	44
45	AD[14]		AD[13]	46
47	M66EN		AD[10]	48
49	AD[08]		+3.3V	50
51	AD[07]		PMC-RSVD	52
53	+3.3V		PMC-RSVD	54
55	PMC-RSVD		GND	56
57	PMC-RSVD		PMC-RSVD	58
59	GND		PMC-RSVD	60
61	ACK64#		+3.3V	62
63	GND		PMC-RSVD	64

Table 9-2 : PMC J12/P12 and J22/P22 Pin Assignment

9.4 PMC J14 / P14

The PMC J14 / P14 I/O connector routes the PMC I/O lines directly to the appropriate pins of the SCSI-V (VHDCI/Champ) receptacle type cable connector. The actual signal assignment of the PMC J14 / P14 connector is PMC specific.

Pin	Signal		Signal	Pin
1	I/O 1		I/O 2	2
3	I/O 3		I/O 4	4
5	I/O 5		I/O 6	6
7	I/O 7		I/O 8	8
9	I/O 9		I/O 10	10
11	I/O 11		I/O 12	12
13	I/O 13		I/O 14	14
15	I/O 15		I/O 16	16
17	I/O 17		I/O 18	18
19	I/O 19		I/O 20	20
21	I/O 21		I/O 22	22
23	I/O 23		I/O 24	24
25	I/O 25		I/O 26	26
27	I/O 27		I/O 28	28
29	I/O 29		I/O 30	30
31	I/O 31		I/O 32	32
33	I/O 33		I/O 34	34
35	I/O 35		I/O 36	36
37	I/O 37		I/O 38	38
39	I/O 39		I/O 40	40
41	I/O 41		I/O 42	42
43	I/O 43		I/O 44	44
45	I/O 45		I/O 46	46
47	I/O 47		I/O 48	48
49	I/O 49		I/O 50	50
51	I/O 51		I/O 52	52
53	I/O 53		I/O 54	54
55	I/O 55		I/O 56	56
57	I/O 57		I/O 58	58
59	I/O 59		I/O 60	60
61	I/O 61		I/O 62	62
63	I/O 63		I/O 64	64

Table 9-3 : PMC J14/P14 Pin Assignment

9.5 Front Panel I/O Connector X1

SCSI-V (VHDCI/Champ) receptacle, HDRA-EC68LFDT-SL+ or compatible.

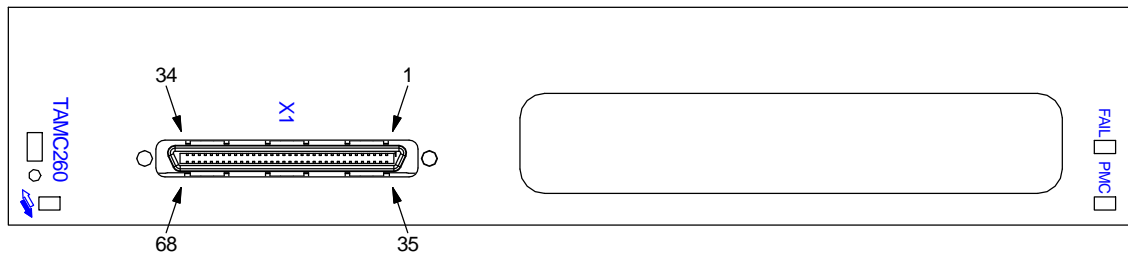


Figure 9-2 : Front Panel I/O Connector Numbering

The PMC J14 / P14 I/O connector routes the PMC I/O lines directly to the appropriate pins of the SCSI-V (VHDCI/Champ) receptacle type cable connector. The actual signal assignment of the PMC J14 / P14 connector is PMC specific.

Pin	Signal		Signal	Pin
1	I/O 1		I/O 2	2
3	I/O 3		I/O 4	4
5	I/O 5		I/O 6	6
7	I/O 7		I/O 8	8
9	I/O 9		I/O 10	10
11	I/O 11		I/O 12	12
13	I/O 13		I/O 14	14
15	I/O 15		I/O 16	16
17	I/O 17		I/O 18	18
19	I/O 19		I/O 20	20
21	I/O 21		I/O 22	22
23	I/O 23		I/O 24	24
25	I/O 25		I/O 26	26
27	I/O 27		I/O 28	28
29	I/O 29		I/O 30	30
31	I/O 31		I/O 32	32
33	I/O 33		I/O 34	34
35	I/O 35		I/O 36	36
37	I/O 37		I/O 38	38
39	I/O 39		I/O 40	40
41	I/O 41		I/O 42	42
43	I/O 43		I/O 44	44
45	I/O 45		I/O 46	46
47	I/O 47		I/O 48	48

Pin	Signal		Signal	Pin
49	I/O 49		I/O 50	50
51	I/O 51		I/O 52	52
53	I/O 53		I/O 54	54
55	I/O 55		I/O 56	56
57	I/O 57		I/O 58	58
59	I/O 59		I/O 60	60
61	I/O 61		I/O 62	62
63	I/O 63		I/O 64	64
65	GND		GND	66
67	GND		GND	68

Table 9-4 : X1 Pin Assignment