

# TCP211 CompactPCI Carrier for 2 IndustryPacks®

### Application Information

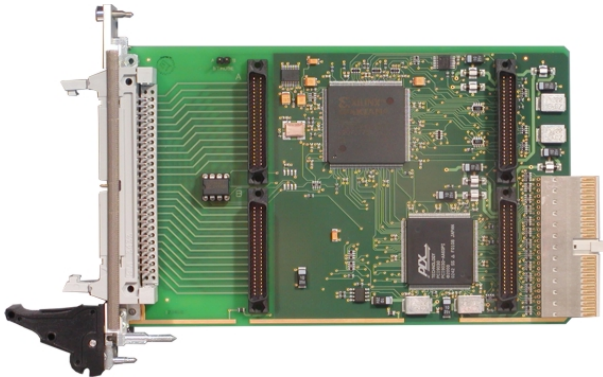
The TCP211 is a standard 3U CompactPCI carrier for up to two single-size or one double-size IndustryPack (IP) modules used to build modular, flexible and cost effective I/O solutions for applications in process control, medical systems, telecommunication and traffic control.

Access to all IP I/O lines is provided by two 50 pin 0.1 inch flat ribbon cable connectors mounted in the front panel.

The TCP211 can operate with 3.3V and 5.0V PCI I/O signaling voltage.

All IP interrupt request lines are mapped to PCI INTA. For fast interrupt source detection, the TCP211 provides a special IP interrupt status register.

The IP power lines are fuse protected by self healing fuses and RF filtered. The operating temperature range is -40°C to +85°C.

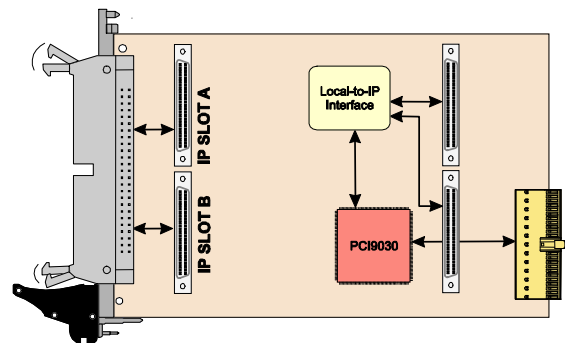


The TCP211 complies with the PICMG 2.0 Revision 3.0 CompactPCI specification.

For First-Time-Buyers the Engineering Documentation TCP211-ED is recommended. The Engineering Documentation includes TCP211-DOC, schematics and data sheets of the TCP211.

### Technical Information

- Standard 3U 32 bit CompactPCI module conforming to PICMG 2.0 Rev 3.0
  - PCI 2.2 compliant interface
  - Board size: 160mm x 100mm
  - PCI Interface : 33 MHz; 32 bit
  - 5V and 3.3V PCI I/O signaling voltage
- ANSI/VITA 4-1995 compliant interface to IndustryPack modules
  - IndustryPack slots: Two single-size or one double-size
  - 8/32 MHz interface, no DMA
  - 8 MByte memory space per IP
  - Routing of all IP interrupts to PCI INTA, local interrupt status register
  - I/O access: 50 pin 0.1 inch flat ribbon cable connector per IP mounted in front panel
- Self healing fuses and RF-filtering on all IP power lines
- Operating temperature -40°C to +85°



### Order Information

#### RoHS Compliant

**TCP211-10R** CompactPCI Carrier for 2 IndustryPacks,  
front I/O

#### None RoHS Compliant

TCP211-10 None RoHS compliant version of  
TCP211-10R

#### Documentation

**TCP211-DOC** User Manual  
**TCP211-ED** Engineering Documentation, includes  
TCP211-DOC

#### Software

**CARRIER-SW-25** Integrity Software Support  
**CARRIER-SW-42** VxWorks Software Support (Legacy  
and VxBus-enabled Software  
Support)  
**CARRIER-SW-65** Windows XP/XPE/2000 IP Carrier  
Software Support  
**CARRIER-SW-72** LynxOS IP Carrier Software Support  
**CARRIER-SW-82** Linux IP Carrier Software Support  
**CARRIER-SW-95** QNX 6 IP Carrier Software Support  
For other operating systems please contact TEWS.

#### Related Products

**TA305** Cable Kit for modules with 50 pin  
ribbon cable connector  
**TCP001-FP** Front Panel extension for 3U cPCI  
boards