

TCP213 CompactPCI Carrier for 2 IndustryPacks®

Application Information

The TCP213 is a standard 3U CompactPCI carrier that provides back I/O for up to two single-size or one double-size IndustryPack (IP) modules. It is used to build modular, flexible and cost effective I/O solutions for applications in process control, medical systems, telecommunication and traffic control.



Access to all IP I/O lines is provided via J2. Status indicators for IP access, +5V and +/-12V are provided in the front panel.

The TCP213 can operate with 3.3V and 5.0V PCI I/O signaling voltage.

All IP interrupt request lines are mapped to PCI INTA. For fast interrupt source detection, the TCP213 provides a special IP interrupt status register.

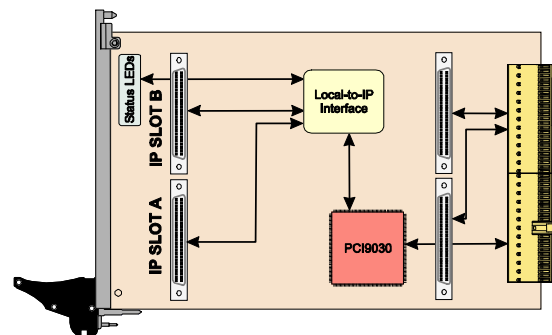
The IP power lines are fuse protected by self healing fuses and RF filtered. The operating temperature range is -40°C to +85°C.

The TCP213 complies with the PICMG 2.0 Revision 3.0 CompactPCI specification.

For First-Time-Buyers the Engineering Documentation TCP213-ED is recommended. The engineering documentation includes TCP213-DOC, schematics and data sheets of the TCP213.

Technical Information

- 3U 32 bit CompactPCI module conforming to PICMG 2.0 Rev 3.0
 - PCI 2.2 compliant interface
 - Board size: 160mm x 100mm
 - PCI Interface : 33 MHz; 32 bit
 - 5V and 3.3V PCI I/O signaling voltage
- ANSI/VITA 4-1995 compliant interface to IndustryPack modules
 - IndustryPack slots: Two single-size or one double-size
 - 8/32 MHz interface, no DMA
 - 8 MByte memory space per IP
 - Routing of all IP Interrupts to PCI INTA, local interrupt status register
 - I/O access via J2
- Status LED's
 - ACK LED for each IP module
 - +5V Power LED for each IP slot
 - +12V and -12V Power LED
- Self Healing fuses and RF-filtering on all IP power lines
- Operating temperature -40°C to +85°C



Order Information

RoHS Compliant

TCP213-10R CompactPCI Carrier for 2 IndustryPacks, back I/O on J2

None RoHS Compliant

TCP213-10 None RoHS compliant version of TCP213-10R

Documentation

TCP213-DOC User Manual
TCP213-ED Engineering Documentation, includes TCP213-DOC

Software

CARRIER-SW-25 Integrity Software Support
CARRIER-SW-42 VxWorks Software Support (Legacy and VxBus-enabled Software Support)
CARRIER-SW-65 Windows XP/XPE/2000 IP Carrier Software Support
CARRIER-SW-72 LynxOS IP Carrier Software Support
CARRIER-SW-82 Linux IP Carrier Software Support
CARRIER-SW-95 QNX 6 IP Carrier Software Support
For other operating systems please contact TEWS.

Related Products

TCP010-TM 3U Transition Module, I/O lines accessible via two 50 pin ribbon cable connectors
TCP011-TM 3U Transition Module (front panel), I/O lines accessible via two 50 pin ribbon cable connectors
TCP012-TM 3U Transition Module (EMI front panel), I/O lines accessible via two shielded 50 pin CHAMP 0.8 connectors
TCP001-FP Front Panel extension for 3U cPCI boards