

### TCP270 PMC Carrier for 3U CompactPCI

#### Application Information

The TCP270 is a standard 3U CompactPCI carrier that provides front I/O and rear I/O for a single width PMC module. This PMC to 3U CompactPCI adaptor is used to build modular, flexible and cost effective I/O solutions with PMC devices in CompactPCI systems.

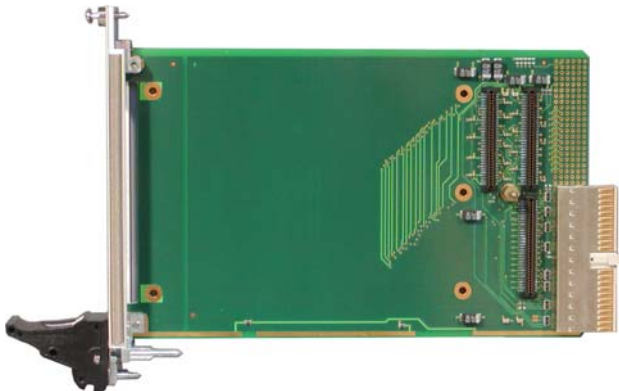
32 bit / 33 MHz accesses are supported on the PCI bus. The TCP270 is used as a mechanical adaptor to connect a standard PMC module in 3U CompactPCI systems.

The TCP270 supports PMC front I/O and optional CompactPCI rear I/O at CompactPCI connector J2/P2. The pin assignment corresponds to the PICMG 2.3 R1.0 PMC on CompactPCI signal mapping.

The use of PMC I/O on the J2/P2 connector (TCP270-11) precludes the use of 64 bit CompactPCI backplanes.

The TCP270 carrier complies with the PICMG 2.0 Revision 3.0 CompactPCI specification.

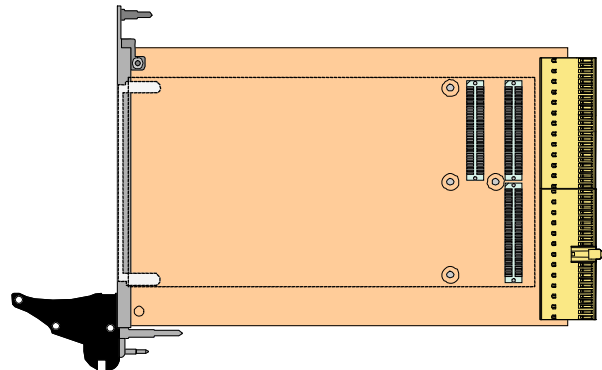
Operating temperature range is -40°C to +85°C.



For First-Time-Buyers the Engineering Documentation TCP270-ED is recommended. The Engineering Documentation includes TCP270-DOC, schematics and data sheets of the TCP270.

#### Technical Information

- 3U 32 bit / 33 MHz CompactPCI module conforming to PICMG 2.0 Rev 3.0
  - PCI 2.2 compliant interface
  - Board size: 160 mm x 100 mm
  - PCI Interface: 33 MHz; 32 bit
  - 5V and 3.3V PCI I/O signaling voltage possible
- One PMC site conforming to PMC standard
- Front panel I/O
- CompactPCI rear I/O: Connector J2 optional
- Operating temperature -40°C to +85°C



#### Order Information

##### RoHS Compliant

##### TCP270-10R

Single PMC Carrier for 3U CompactPCI, Front I/O

##### TCP270-11R

Single PMC Carrier for 3U CompactPCI, Front I/O and J2 Rear I/O

##### None RoHS Compliant

##### TCP270-10

None RoHS compliant version of TCP270-10R

##### TCP270-11

None RoHS compliant version of TCP270-11R

#### Documentation

##### TCP270-DOC

User Manual

##### TCP270-ED

Engineering Documentation, includes TCP270-DOC

#### Related Products

##### TCP001-FP

6U front panel extension for 3U cPCI boards

##### TCP030-TM

Transition Module for TCP270-11, I/O lines accessible via HD68

##### TCP040-TM

SCSI-3 type connector, front panel PIM Carrier Transition Module for TCP270-11, I/O lines accessible via HD68 SCSI-3 type connector, front panel