

TCP872 CompactPCI Carrier for 2 CardBus / PC Card Cards

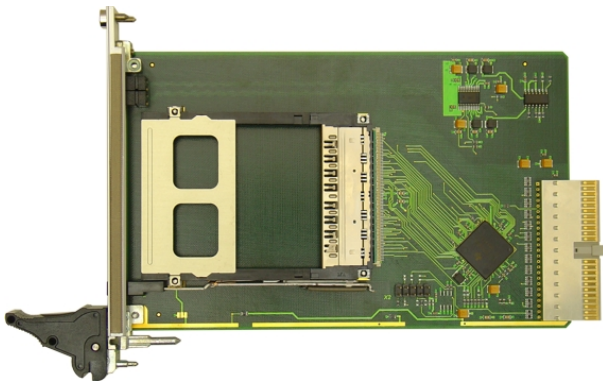
Application Information

The TCP872 is a standard 3U CompactPCI module with an interface for up to two 16 bit PC Card or 32 bit CardBus Cards using a dual socket PC Card controller and a power management unit. Up to two PC Card / CardBus cards of Type I and II, or one card of Type III are supported. The register map of the PC Card controller is Intel 82365-DF compatible.

The TCP872 provides full ExCA register implementation for 16 bit PC Cards compatible with PCMCIA 2.1/JEIDA 4.2 standards. Both memory and I/O cards are supported. Up to five memory windows and up to two I/O windows are available for PC Card16 accesses. For 32 bit CardBus cards two memory windows and two I/O windows are supported by the controller. CardBus card status information can be accessed in five CardBus socket registers which can be mapped in the host memory space.

The TCP872 can operate with 3.3V and 5.0V PCI I/O signaling voltage.

All CardBus / PC Card interrupt sources are mapped to PCI INTA.



The power management unit provides 3.3V or 5.0V PC Card power supply and 3.3V, 5.0V or 12V PC Card programming voltage. Due to the short circuit and thermal protection of the power management unit no external fuses are needed on the module.

The operating temperature range is -40°C to +85°C.

The TCP872 complies with the PICMG 2.0 Revision 3.0 CompactPCI specification.

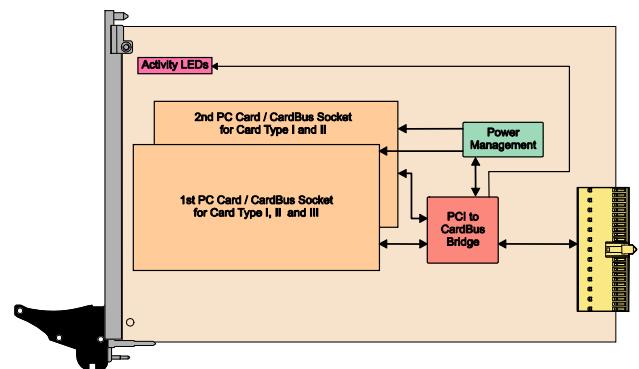
For First Time Users the Engineering Documentation TCP872-ED is recommended. The Engineering Documentation includes TCP872-DOC, schematics and data sheets.

Software Support:

- Driver support (TCP872-SW-xx) for different operating systems is available.
- The TCP872 is directly supported from WindowsXP/2000 and Linux.
- For further operating systems please contact TEWS.

Technical Information

- Standard 3U 32 bit CompactPCI module conforming to PICMG 2.0 Rev 3.0
 - PCI 2.2 compliant interface
 - Board size: 160 mm x 100 mm
 - PCI Interface: 33 MHz; 32 bit
 - 5V and 3.3V PCI I/O signaling voltage
- Two PC Card / CardBus sockets with hot insertion and removal, supports up to two memory and I/O cards of type I and II or one card of type III.
 - 3.3V and 5V card power supply supported
 - 3.3V, 5V and 12V card programming voltage supported
 - Short circuit protection
- Status LED's
 - Activity LED for each socket
 - Power LED for each socket
- Operating temperature -40°C to +85°C



Order Information

None RoHS Compliant

TCP872-10 CompactPCI Carrier with 2 Socket
PC Card Interface, PC Cards
accessible through front panel (None
RoHS compliant)

Documentation

TCP872-DOC User Manual
TCP872-ED Engineering Documentation, includes
TCP872-DOC

Software

TCP872-SW-42 VxWorks Software Support (Legacy
and VxBus-enabled Software
Support)

For other operating systems please contact TEWS.

Related Products

TCP001-FP 6U Front panel extension for 3U
cPCI board