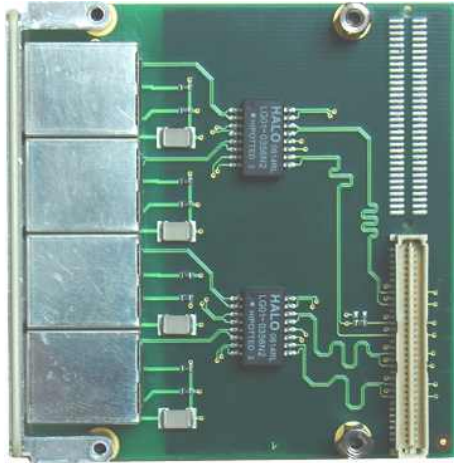


TPIM004 PIM I/O Module for Quad Ethernet PMCs

Application Information

The TPIM004 is a standard single-width PIM I/O module. PIM Modules are used with a PIM Carrier like TEWS' TCP020-TM, TVME020-TM or others to offer easy access to the Back I/O lines of PMCs.

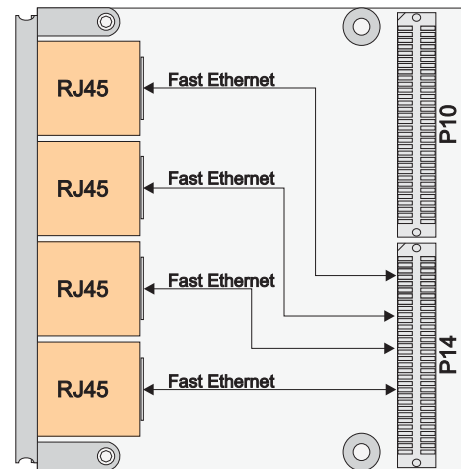


The TPIM004 provides access to the Fast Ethernet Ports of TEWS' Fast Ethernet PMCs with Back I/O like the TPMC882-1x or the TPMC382. Refer to the TPMC Data Sheets to find out, if the TPIM004 can be used with the corresponding PMC.

The operating temperature is -40°C to +85°C.

Technical Information

- Standard single-width PIM I/O Module
- Board size: 69 mm x 74 mm
- I/O lines are routed to RJ45 connectors in the front panel
- EMI Front Panel
- Operating Temperature: -40°C to +85°C



Order Information

- TPIM004-10R** PIM I/O Module with 4 RJ45 connectors for e.g. TPMC382, and TPMC882
- TPIM004-10 None RoHS compliant version of TPIM004-10R
- TPIM004-DOC** User Manual