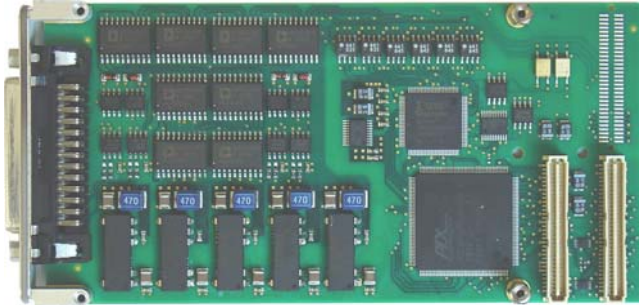


## TPMC551 8/4 Channels of Isolated 16-Bit D/A

### Application Information

The TPMC551 is a standard single-width 32-bit PMC module providing optically isolated 16-bit analog outputs.

The number of D/A channels and the I/O connector depends on the module version. Settling time to 0.003% is 10µs typical. Immediate and simultaneous loading are supported.



A sequencer allows periodical updates of enabled channels and the sequence timer range extends from 100µs to 6.5s.

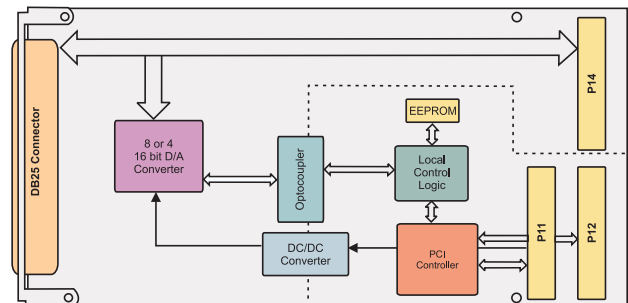
The TPMC551 offers two output voltage ranges, ±10 V and 0-10V, which are selectable by solder pads. An on board DC/DC converter powers the isolated DAC and the output buffers.

Each TPMC551 is delivered factory calibrated. The calibration information is stored in the Calibration-PROM unique to each PMC module.

For First-Time-Buyers the engineering documentation TPMC551-ED is recommended. The engineering documentation includes TPMC551-DOC, schematics and data sheets of TPMC551.

### Technical Information

- Form Factor: Standard single-width 32-bit PMC module conforming to IEEE P1386/P1386.1
  - Board size: 147.5 mm x 74 mm
  - PCI v2.2 compliant interface
  - 3.3V and 5V PCI Signaling Voltage
- 16-bit D/A conversion
  - 0...10V or ±10V selectable output voltage range
  - 10µs maximum settling time
  - 4mA, 1000pF maximum load
- I/O access:
  - Front panel I/O: DB25 female connector
  - Back I/O: PMC P14 I/O connector
- Operating temperature -40°C to +85°C
- MTBF (MIL-HDBK217F/FN2 G<sub>B</sub> 20°C)
  - TPMC551-10: 371000h
  - TPMC551-11: 512000h
  - TPMC551-20: 353000h
  - TPMC551-21: 479000h



### Order Information

#### RoHS Compliant

<b>TPMC551-10R</b>	8 Channels of Isolated 16-bit D/A, Front Panel I/O
<b>TPMC551-11R</b>	4 Channels of Isolated 16-bit D/A, Front Panel I/O
<b>TPMC551-20R</b>	8 Channels of Isolated 16-bit D/A, P14 I/O
<b>TPMC551-21R</b>	4 Channels of Isolated 16-bit D/A, P14 I/O

#### None RoHS Compliant

TPMC551-10	None RoHS compliant version of TPMC551-10R
TPMC551-11	None RoHS compliant version of TPMC551-11R
TPMC551-20	None RoHS compliant version of TPMC551-20R
TPMC551-21	None RoHS compliant version of TPMC551-21R

#### Documentation

<b>TPMC551-DOC</b>	User Manual
<b>TPMC551-ED</b>	Engineering Documentation, includes TPMC551-DOC

#### Software

<b>TPMC551-SW-25</b>	Integrity Software Support
<b>TPMC551-SW-42</b>	VxWorks Software Support (Legacy and VxBus-Enabled Software Support)
<b>TPMC551-SW-65</b>	Windows XP/XPE/2000 Software Support
<b>TPMC551-SW-72</b>	LynxOS Software Support
<b>TPMC551-SW-82</b>	LiNux Software Support
<b>TPMC551-SW-95</b>	QNX 6 Software Support

For other operating systems please contact TEWS.

#### Related Products

<b>TA303</b>	Cable Kit for modules with DB25 female connector (for front I/O)
<b>TPIM001</b>	PIM I/O Module with 50 pin connector