

TPMC810 Isolated 2 x CAN Bus

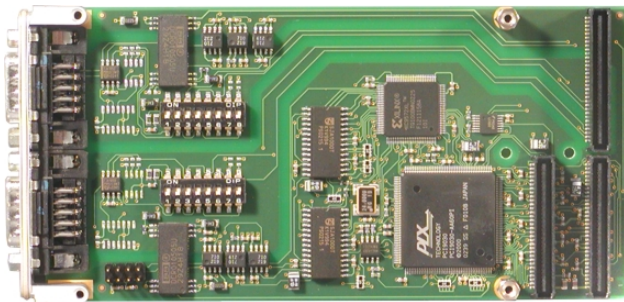
Application Information

The TPMC810 is a standard single-width 32 bit PMC with two independent CAN bus channels, isolated from system logic and from each other.

Two Philips SJA1000 CAN controllers (CAN specification 2.0B supported) are used.

CAN High Speed transceivers are used for the CAN bus I/O interface. An on board termination option (DIP switches) is provided for each CAN bus channel allowing to configure on board termination and pass through mode.

Each channel can generate an interrupt on INTA. Interrupts can be enabled and disabled separately.



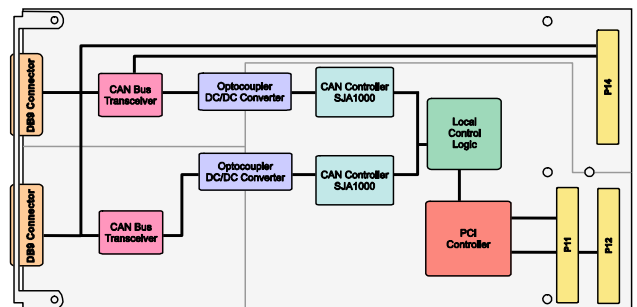
The TPMC810 provides front panel I/O via two DB9 male connectors and rear panel I/O via P14.

For First Time Users the Engineering Documentation TPMC810-ED is recommended. The Engineering Documentation includes TPMC810-DOC, schematics and data sheets.

Software support (TDRV010-SW-xx) for different operating systems is available.

Technical Information

- Standard single-width 32 bit PMC module conforming to IEEE P1386.1
- PCI 2.1 compliant interface
- 3.3V and 5V PCI Signaling Voltage
- Board size: 147 mm x 74 mm
- Two CAN bus interfaces based on Philips SJA1000
- I/O access:
 - DB9 male front connectors with pinout following CiA DS-102, parallel to rear connector P14
- Physical interface: CAN High Speed (according to ISO 11898-2)
- Physical interface optically isolated from CAN controller by on board DC/DC converters and optocouplers for each channel
- Transfer rate 1 Mbit/s maximum (bus length up to 30 m)
- Temperature range: -40°C to +85°C



Order Information

RoHS Compliant

TPMC810-10R Two isolated CAN bus channels

None RoHS Compliant

TPMC810-10 None RoHS compliant version of TPMC810-10R

Documentation

TPMC810-DOC User Manual

TPMC810-ED Engineering Documentation, includes TPMC810-DOC

Software

TDRV010-SW-25 Integrity Software Support

TDRV010-SW-42 VxWorks Software Support (Legacy and VxBus-Enabled Software Support)

TDRV010-SW-65 Windows XP/XPE/2000 Software Support

TDRV010-SW-72 LynxOS Software Support

TDRV010-SW-82 LiNIX Software Support

TDRV010-SW-95 QNX 6 Software Support

For other operating systems please contact TEWS.

Related Products

TPIM001 PIM I/O Module with HD50 SCSI-2 type connector