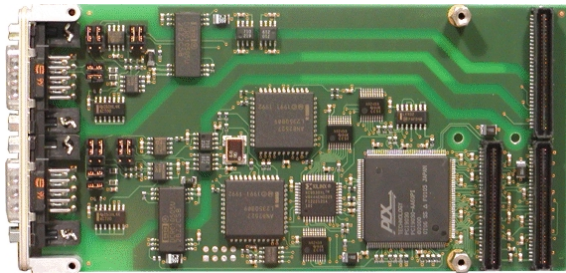


TPMC816 Two Independent Channels Extended CAN Bus

Application Information

The TPMC816 is a standard single-width 32 bit PMC module with two complete CAN bus interfaces using two Intel 82527 CAN controllers. Both channels are completely independent and support CAN specification 2.0 part A and B (Standard 11 bit identifier and extended 29 bit identifier).

Each channel provides CAN High Speed and modified RS485 as physical interface. The physical interfaces are optically isolated from the CAN controller and powered by an on board DC/DC converter for each channel. The TPMC816-11 provides one CAN bus channel.

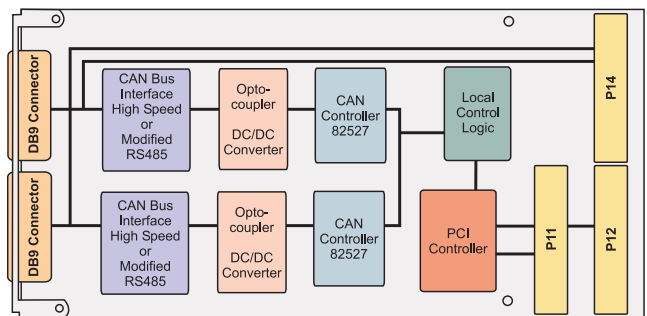


For First Time Users the Engineering Documentation TPMC816-ED is recommended. The Engineering Documentation includes TPMC816-DOC, schematics and data sheets.

Software Support (TDRV011-SW-xx) for different operating systems is available.

Technical Information

- Standard single-width 32 bit PMC module conforming to IEEE P1386.1
- PCI 2.1 compliant interface
- 3.3V and 5V PCI Signaling Voltage
- Board size: 149 mm x 74 mm
- CAN bus interface based on Intel 82527 chip
- I/O access :
DB9 male front connector with pinout following CiA DS-102, parallel to rear connector P14
- Support CAN specification 2.0 part A and B (standard and extended data frames)
- Programmable global mask
- 15 message objects of 8 byte data length
- Powerful error handling
- Programmable transfer rates
- Physical interface CAN High Speed (according to ISO 11 898) and modified RS485 per channel
- Physical interface optically isolated from CAN controller by on board DC/DC converter per channel
- Maximum transfer rate 1 Mbit/s (bus length up to 40 m)
- Operating temperature -40°C to +85°C



Order Information

RoHS Compliant

TPMC816-10R Two Independent CAN Bus Channels
TPMC816-11R One CAN Bus Channel

None RoHS Compliant

TPMC816-10 None RoHS compliant version of
TPMC816-10R
TPMC816-11 None RoHS compliant version of
TPMC816-11R

Documentation

TPMC816-DOC User Manual
TPMC816-ED Engineering Documentation, includes
TPMC816-DOC

Software

TDRV011-SW-25 Integrity Software Support
TDRV011-SW-42 VxWorks Software Support
(Legacy and VxBus-Enabled Software
Support)
TDRV011-SW-65 Windows XP/XPE/2000 Software
Support
TDRV011-SW-72 LynxOS Software Support
TDRV011-SW-82 LINUX Software Support
TDRV011-SW-95 QNX 6 Software Support

For other operating systems please contact TEWS.

Related Products

TPIM001 PIM I/O Module with HD50 SCSI-2 type
connector