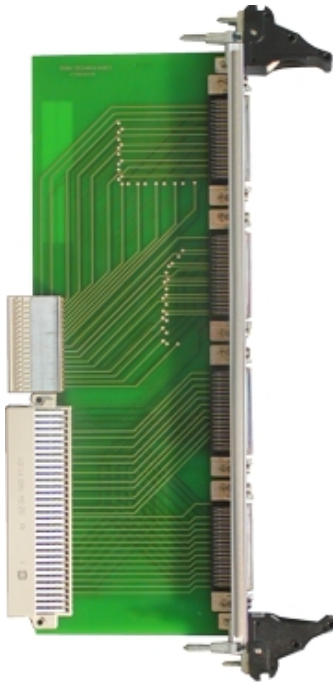


TVME002-TM Transition Module for VME64x Back I/O

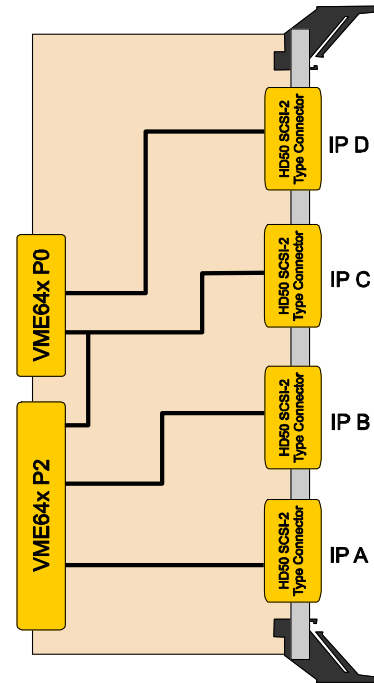
Application Information

The TVME002-TM is an 80mm, 6U Transition Module for use with VME64x backplanes, providing easy access to the I/O lines of back I/O IP carriers.

It brings all 200 IP I/O lines from the VME64x P0 and P2 connectors out to four 50 pin SCSI-2 type connectors located in the EMI front panel. The routing between the VME64x P0 and P2 connectors and the 4 HD50 SCSI-2 type connectors in the EMI front panel is ANSI/VITA 4.1-1996 compliant.



The operating temperature ranges between -40°C and +85°C.



Technical Information

- Form Factor: VME64x 6U Rear Transition Module
- I/O Routing:
 - ANSI/VITA 4.1-1996 compliant I/O mapping (P0 and P2)
 - I/O lines are accessible via four HD50 SCSI-2 type connectors
- EMI front panel
- Operating temperature: -40°C to +85°C

Order Information

- TVME002-TM-10R** 80mm, 6U Transition Module, I/O lines accessible via four HD50 SCSI-2 type connectors mounted in EMI front panel
- TVME002-TM-10 None RoHS compliant version of TVME002-TM-10R

TVME002-TM-DOC User Manual