

### TVME210 VMEbus Carrier for 2 IndustryPacks®

#### Application Information

The TVME210 is a 3U VMEbus Carrier for up to two single-size or one double-size IndustryPack (IP) modules allowing to build up modular, flexible and cost effective I/O solutions for all kinds of applications like process control, medical systems, telecommunication and traffic control.

Two 50 pin 0.1 inch flat ribbon cable connectors mounted in the front panel of the TVME210 provide access to all IP I/O lines. Status indicators for IP access, +5V and +/-12V are provided.



TVME210-10



TVME210-11

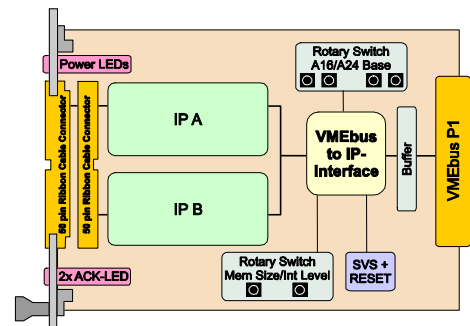
A set of 16-position rotary switches allows easy configuration of VME Short I/O and Memory addresses. Interrupt routing from the IP slots to the VME IRQ's can be done in two ways: programmable by software or selection of predefined sets by a rotary switch.

The IP power lines are fuse protected by self healing fuses and RF filtered. The operating temperature range is -40°C and +85°C.

For First-Time-Buyers the Engineering Documentation TVME210-ED is recommended. The Engineering Documentation includes TVME210-DOC, schematics and data sheets of TVME210.

#### Technical Information

- Form Factor: VMEbus board, 3U
- VMEbus Slave Interface:
  - Short I/O: A16, D08/16, size: 512 bytes
  - Standard Memory: A24, D08/16
  - Size: programmable, 32 Kbytes to 4 Mbytes per IP or 2 Mbytes to 8 Mbytes for one IP
  - Interrupts: IRQ1-7
- ANSI/VITA 4-1995 compliant interface to IndustryPack modules
  - IndustryPack slots: Two single-size or one double-size with front panel I/O
  - 8 MHz interface, no DMA
  - Routing of IP Interrupt Levels to VME IRQ1-7: programmable by software or selection of predefined sets by a rotary switch
  - I/O access: 50 pin 0.1 inch flat ribbon cable connector (1x90°, 1x180°) per IP mounted in front panel
- Status LED's
  - ACK LED for each IP module
  - +5V Power LED for each IP slot
  - +12V and -12V Power LED
- Self Healing fuses and RF-filtering on all IP power lines
- Operating Temperature -40°C to +85°C



### Order Information

#### RoHS Compliant

- TVME210-10R** VMEbus Carrier for 2 IP modules (3U), front panel I/O, Standard Handles, 3U front panel
- TVME210-11R** VMEbus Carrier for 2 IP modules (3U), front panel I/O, Standard Handles, 6U front panel

#### None RoHS Compliant

- TVME210-10 None RoHS compliant version of TVME210-10R
- TVME210-11 None RoHS compliant version of TVME210-11R

#### Documentation

- TVME210-DOC** User Manual
- TVME210-ED** Engineering Documentation (TVME210-DOC, Schematics, Assembly Drawing, Data Sheets)

#### Software

- CARRIER-SW-25** Integrity Software Support
- CARRIER-SW-42** VxWorks Software Support (Legacy and VxBus-enabled Software Support)
- CARRIER-SW-65** Windows XP/XPE/2000 IP Carrier Software Support
- CARRIER-SW-72** LynxOS IP Carrier Software Support
- CARRIER-SW-82** Linux IP Carrier Software Support
- CARRIER-SW-95** QNX 6 IP Carrier Software Support
- For other operating systems please contact TEWS.

#### Related Products

- TA305** Cable Kit for modules with 50 pin ribbon cable connector