

TVME211 VMEbus Carrier for 2 IndustryPacks®

Application Information

The TVME211 is a 3U VMEbus Carrier for up to two single-size or one double-size IndustryPack (IP) modules allowing to build up modular, flexible and cost effective I/O solutions for all kinds of applications like process control, medical systems, telecommunication and traffic control.

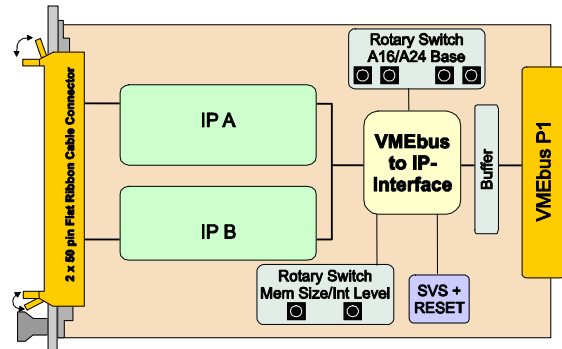
Two 50 pin 0.1 inch flat ribbon cable connectors mounted in the front panel of the TVME211 provide access to all IP I/O lines.

A set of 16-position rotary switches allows easy configuration of VME Short I/O and Memory addresses. Interrupt routing from the IP slots to the VME IRQ's can be done in two ways: programmable by software or selection of predefined sets by a rotary switch.

The IP power lines are fuse protected by self healing fuses and RF filtered. The operating temperature range is -40°C and +85°C.



For First-Time-Buyers the Engineering Documentation TVME211-ED is recommended. The Engineering Documentation includes TVME211-DOC, schematics and data sheets of TVME211.



Technical Information

- Form Factor: VMEbus board, 3U
- VMEbus Slave Interface:
 - Short I/O: A16, D08/16, size: 512 bytes
 - Standard Memory: A24, D08/16
 - Size: programmable, 32 Kbytes to 4 Mbytes per IP or 2 Mbytes to 8 Mbytes for one IP
 - Interrupts: IRQ1-7
- ANSI/VITA 4-1995 compliant interface to IndustryPack modules
 - IndustryPack slots: Two single-size or one double-size with front panel I/O
 - 8 MHz interface, no DMA
 - Routing of IP Interrupt Levels to VME IRQ1-7: programmable by software or selection of predefined sets by a rotary switch
 - I/O access: 50 pin 0.1 inch flat ribbon cable connector (stacked version) per IP mounted in front panel
- Self Healing fuses and RF-filtering on all IP power lines
- Operating temperature -40°C to +85°C

The Embedded I/O Company

Order Information

RoHS Compliant

TVME211-10R	VMEbus Carrier for 2 IP modules (3U), front panel I/O, Standard Handles, 3U front panel
TVME211-11R	VMEbus Carrier for 2 IP modules (3U), front panel I/O, Standard Handles, 6U front panel

None RoHS Compliant

TVME211-10	None RoHS compliant version of TVME211-10R
TVME211-11	None RoHS compliant version of TVME211-11R

Documentation

TVME211-DOC	User Manual
TVME211-ED	Engineering Documentation (TVME211-DOC, Schematics, Assembly Drawing, Data Sheets)

Software

CARRIER-SW-25	Integrity Software Support
CARRIER-SW-42	VxWorks Software Support (Legacy and VxBus-enabled Software Support)
CARRIER-SW-65	Windows XP/XPE/2000 IP Carrier Software Support
CARRIER-SW-72	LynxOS IP Carrier Software Support
CARRIER-SW-82	Linux IP Carrier Software Support
CARRIER-SW-95	QNX 6 IP Carrier Software Support

For other operating systems please contact TEWS.

Related Products

TA305	Cable Kit for modules with 50 pin ribbon cable connector
--------------	--